



## **Instruction manual for system with digital load cells**

TE67X000002029 analog module

Applies to:

Program no.: MCE2529.STD.120322.0

Document no.: 0322mu2029-2010-0a.DOC

Date: 2012-06-04

Rev.: 0a

**Instruction manual no.: IM-TE91K010-EN4  
ESE01766EN**

**Date of issue: June 12, 2012**

**First published: November 9, 2009**



# 1) CONTENTS

1) CONTENTS.....	1
2) General information.....	3
2.1 Information on the Instruction manual.....	3
2.2 Target group.....	3
2.3 Limitation of liability.....	3
2.4 Intended use.....	3
3) INTRODUCTION.....	4
3.1 Introduction.....	4
4) TE67X000002010 DESCRIPTION.....	5
5) TE67N000002029 Description.....	7
5.1 Display, lamps and keyboard.....	7
5.2 Display modes.....	8
5.2.1 LoAd mode.....	8
5.2.2 OutPut mode.....	8
5.2.3 PASS mode.....	8
5.2.4 ZERo mode.....	9
5.2.5 CAL.L. mode.....	9
5.2.6 CAL. mode.....	9
5.2.7 CAL.F. mode.....	9
5.2.8 N.Lc. mode.....	9
5.2.9 N.Crn. mode.....	9
5.2.10 Int.PER. mode.....	9
5.2.11 Unit mode.....	10
5.2.12 dPho mode.....	10
5.2.13 div mode.....	10
5.2.14 SP. 1 and SP. 2 mode.....	10
5.2.15 An.SP. mode.....	10
5.2.16 An.Err. mode.....	10
5.2.17 An.tyPE. mode.....	10
5.2.18 rS485 mode.....	10
5.2.19 dAc.tSt. mode.....	10
5.2.20 LC x mode.....	11
5.2.21 Err.rEg. mode.....	11
5.3 Level alarms.....	12
5.4 Filtering.....	12
5.5 RS485 serial communication.....	13
6) STATUS CODES.....	14
7) ERROR CODES.....	15
8) TROUBLE SHOOTING.....	16
8.1 Status code indication.....	16
8.2 Error code indication.....	16
8.3 Analog output error.....	16
9) INSTALLATION OF SYSTEM.....	17
9.1 Checklist during installation.....	17
9.2 Calibration procedure.....	18
10) HARDWARE DESCRIPTION.....	19
10.1 TE67X000002029 overview.....	19
10.2 Connection of power and load cells.....	20
10.3 DIP-switch settings.....	20
10.4 Light Emitting Diodes.....	21
10.5 Jumpers.....	21
10.6 JTAG connector.....	22
10.7 RS485 connector.....	22
10.8 Analog output connector.....	22
10.9 Digital output and input connector.....	23
10.10 Hardware Selftest.....	23
10.11 Update times.....	23
10.12 Component layout.....	24
11) Maintenance, Service / Repair & Warranty.....	25
11.1 Maintenance.....	25
11.2 Service / Repair.....	25
11.2.1 Return.....	25
11.3 Warranty conditions.....	25
12) How to contact Alfa Laval Tank Equipment A/S.....	26
13) EC Declaration of conformity.....	27



## 2) General information

### 2.1 Information on the Instruction manual

This Instruction manual contains important information on proper usage of the device. Read this instruction manual carefully before installing and starting up the pressure measuring device.

Adhere to the safety notes and operating instructions which are given in the instruction manual. Additionally applicable regulations regarding occupational safety, accident prevention as well as national installation standards and engineering rules must be complied with!

This instruction manual is part of the device, must be kept nearest its location, always accessible to all employees.

© 2012 Alfa Laval Corporate AB

This document and its contents is owned by Alfa Laval Corporate AB and protected by laws governing intellectual property and thereto related rights. It is the responsibility of the user of this document to comply with all applicable intellectual property laws. Without limiting any rights related to this document, no part of this document may be copied, reproduced or transmitted in any form or by any means (electronic, mechanical, photocopying, recording, or otherwise), or for any purpose, without the expressed permission of Alfa Laval Corporate AB. Alfa Laval Corporate AB will enforce its rights related to this document to the fullest extent of the law, including the seeking of criminal prosecution.

- Technical modifications reserved –

### 2.2 Target group

WARNING! To avoid operator hazards and damages of the device, the following instructions have to be worked out by qualified technical personnel.

### 2.3 Limitation of liability

By non-observance of the instruction manual, inappropriate use, modification or damage, no liability is assumed and warranty claims will be excluded.

### 2.4 Intended use

The Alfa Laval Weighing System TE67Jxxxxxxx have, according to the type, been developed for Tank weighing applications. It is the operator's responsibility to check and verify the suitability of the device for the intended application. If any doubts remain, please contact our local Alfa Laval Company in order to ensure proper usage. Alfa Laval Tank Equipment A/S is not liable for any incorrect selections and their effects.

- The technical data listed in the current data sheet are engaging and must be complied with. If the data sheet is not available, please order or download it from our homepage (<http://www.alfalaval.com>)

\* WARNING! Danger through improper usage

## 3) INTRODUCTION

### 3.1 Introduction

This document describes the use of the Alfa Laval Weighing system equipped with the analogue output module TE67X000002029.

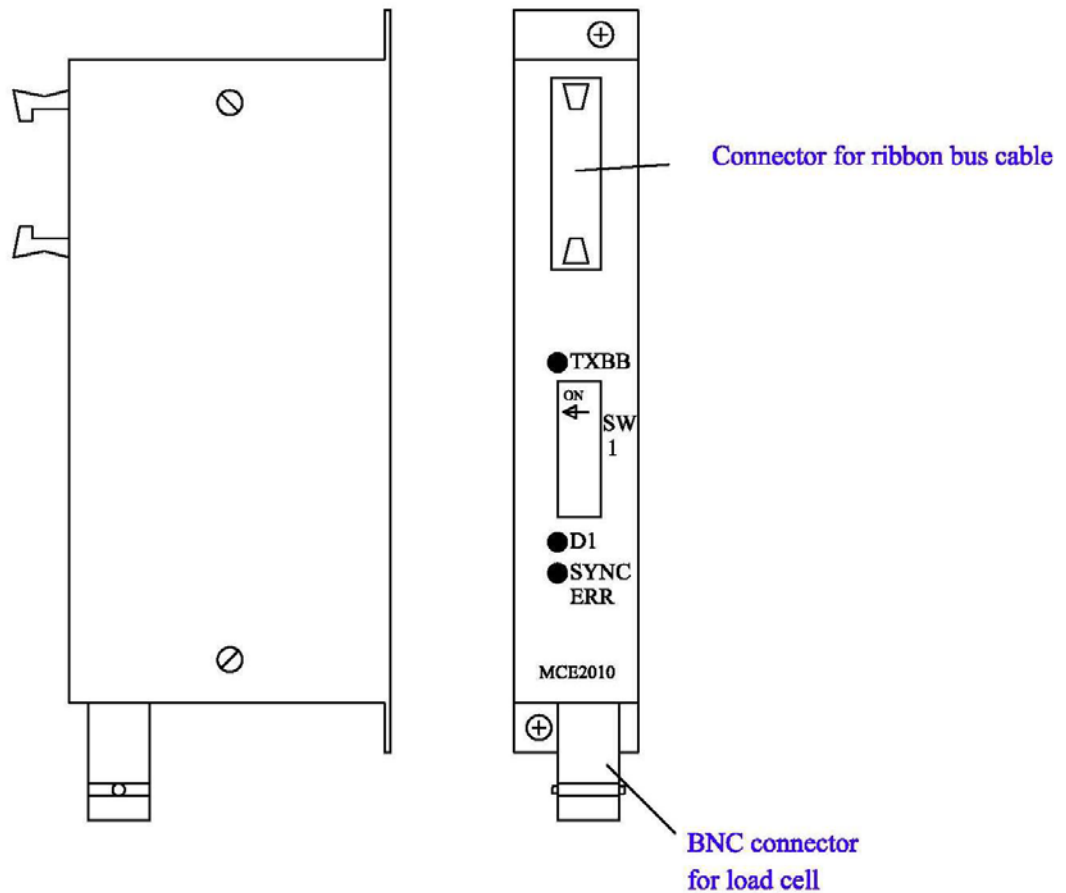
With the program specified on the front page, the TE67X000002029 analog module is capable of transmitting the weight for a system with up to 8 load cells as an analog 4-20 mA signal (or 0-10V depending on factory settings). Each load cell is connected to the TE67X000002029 analog module through a load cell interface module TE67N000002010.

**Note:** The illustrations and specifications contained in this manual were effective at the date of printing. However, as continuous improvements are our policy, we reserve the right to alter or modify any unit specification on any product without prior notice or any obligation.

## 4) TE67X000002010 DESCRIPTION

Below the layout of the TE67X000002010 load cell module is shown. Before using the system the load cells must be connected to the load cell modules.

*Please notice that the load cell and the load cell module **MUST** be marked with the same year/serial number. These are printed on the type-plate of the load cell and on a small sticker placed below the BNC plug on the load cell module. Load cells and load cell modules **MUST NOT** be intermixed because the program in each load cell module is **SPECIALLY** adapted to one load cell only (and only this load cell). The load cell module **MUST** be connected to exactly the load cell it is intended for and vice versa.*



The load cell modules are connected to each other using the supplied cable (10 pole ribbon cable). The TE67X000002029 analog module is connected using the same cable.

All switches (SW1) in the load cell module must be at the correct position before use.

Please notice that the switches (SW1) are only read once during power-up. If a change in the switch setting is necessary the power has to be disconnected and then reconnected (after 10 seconds). Then the TE67X000002010 load cell module recognizes the new switch setting.

The switches SW1.1 to SW1.4 are used to select different modes of operation. The below table is valid for the normal standard software in the load cell module. Unless expressly specified, the default settings must normally be used.

<b>TE67X000002010 SW1.1 to SW1.4</b>		
<b>SW1 No</b>	<b>Default setting</b>	<b>Function</b>
1	OFF	Baud rate OFF: 115200 ON: 230400
2	ON	Filter, MSB
3	ON	Filter, LSB
4	OFF	Not used

Switch SW1.5 to SW1.8 are used for address selection. All load cell modules must have unique addresses ascending from 0 with no gaps unless expressly specified otherwise. No addresses may be skipped and no addresses may be used by more than one load cell module. In systems with 1-8 load cells switch SW1.5 must be set to OFF.

<b>TE67X000002010 SW1.6 to SW1.8</b>				
<b>SW1.5</b>	<b>SW1.6</b>	<b>SW 1.7</b>	<b>SW1.8</b>	<b>Address</b>
OFF	OFF	OFF	OFF	0
OFF	OFF	OFF	ON	1
OFF	OFF	ON	OFF	2
OFF	OFF	ON	ON	3
OFF	ON	OFF	OFF	4
OFF	ON	OFF	ON	5
OFF	ON	ON	OFF	6
OFF	ON	ON	ON	7

The three LED's are used to indicate the following conditions:

<b>TE67X000002010 LED'S</b>		
<b>TXBB</b>	Green	Lit whenever the load cell module transmits data. Must be on/flashing rapidly whenever the system is started.
<b>D1</b>	Yellow	No synchronization between load cell modules: One or more load cells not connected to load cell module or poor connection.
<b>SYNC ERR</b>	Red	No load cell synchronization: No load cell connected to load cell module or poor connection.

## 5) TE67N000002029 Description

### 5.1 Display, lamps and keyboard

This section describes the use of a TE67X000002029 analog module from Alfa Laval, when equipped with the program listed on the front page.

With the program specified on the front page, the TE67X000002029 analog module is capable of transmitting the weight for a system with up to 8 load cells as an analog 4-20 mA signal (or 0-10V depending on factory settings). Each load cell is connected to the TE67X000002029 analog module through a load cell interface module. (TE67N000002010) By use of DIP switches it is possible to include one of 3 different FIR filters, which will be used to filter the weight signal.

The control lamps have the following functions:

<b>TXBB</b>	(Green)	Lit when communicating with the connected load cell modules.
<b>D1</b>	(Yellow)	Lit when a key is activated.
<b>AN.ERR.</b>	(Red)	Lit when the analog output signal is different from its programmed value.

The 5 keys have the following functions:

<b>"F"</b>	Cyclic change between different display modes etc.
<b>"Up"</b>	Increments desired value etc.
<b>"Down"</b>	Decrements desired value etc.
<b>"Esc"</b>	Regret desired value etc.
<b>"Enter"</b>	Accept of selected display value etc. This key <u>must</u> be pressed in order to accept any change of parameter

The "F" key can be used to change between different display modes. In a given mode the display will alternately show "XXXXXX" and "YYYYYY". Here "XXXXXX" will be a text indicating the actual mode, while "YYYYYY" will indicate the actual value belonging to this mode.

By holding down the "F" key and then pressing "Esc" the **LoAd** mode is selected.

If during power-on the display shows **Par.SET.** this is because parameters have to be set. The "F" key can then be used to proceed to **LoAd** mode and the chapter describing **Err.rEg.** mode can be used for further information.

If at any time the display shows **-OL-** (OverLoad) or **-UL-** (UnderLoad) this is because the actual value to be shown in the display is too large/small.

## 5.2 Display modes

It is possible to select between the following modes:

<u>MODE</u>	<u>FUNCTION</u>
"LoAd"	used during normal operation for display of gross weight.
"OutPut"	used for display of the actual analog output signal.
"PASS"	used during selection of password.
"ZEro"	used during zero of the weight indication.
"CAL.L."	used during calibration of the weight indication.
"CAL."	used during calibration of the weight indication.
"CAL.F."	used to calculate the calibrated weight indication.
"n.Lc."	used to indicate number of loadcells.
"n.Crn."	used to indicate number of corners (supporting points).
"Int.PEr."	used to indicate integration period (measurement time).
"Unit"	used to set desired weighing parameters (unit).
"dPno"	used to set desired weighing parameters (decimal point position).
"div"	used to set desired weighing parameters (division).
"SP. 1"	used to control digital output 1.
"SP. 2"	used to control digital output 2.
"An.SP."	used to indicate weight value for full analog output signal.
"An.Err."	used to set analog output signal used during status code indication.
"An.tyPE."	used to select signal transferred on the analog output.
"rS485"	used to select signal transferred on the serial RS485 channel.
"dAc.tSt."	used to test the analog output signal.
" LC x "	used to show loadcell status/signal for loadcell x (0-7).
"Err.rEg."	used to show various error codes.

### 5.2.1 LoAd mode

This mode is used during normal operation to show the actual gross weight. The weight indication is indicated in gram, kg or ton depending on the selected weighing parameters ("Unit", "dPno" and "div"). If the TE67X000002029 analog module detects a situation that results in a status code indication different from 0, the display will show the status code as "-xxx-" instead of the weight indication, and it will output its error value (see "An.Err." mode) on its analog output for the duration of this situation.

### 5.2.2 OutPut mode

This mode is used for indication of the actual analog output signal. The analog output signal is shown in mA/V depending on the hardware configuration of the TE67X000002029 analog module.

### 5.2.3 PASS mode

This mode is used to select password. To avoid unintended change of parameters the module is equipped with a password. To change parameters, zero or calibrate the weight indication from the keyboard the user has to set the actual password so that it equals "1357". Hereafter the "Enter" key is pressed to accept the value.

**Remember** to clear the password in the same fashion when done.

## 5.2.4 ZErO mode

This mode is used during zero of the weight indication (gross weight). The zero should only be done with an empty and clean weighing platform. The display shows the actual weight as in "LoAd" mode. The weight indication is indicated in gram, kg or ton depending on the selected weighing parameters ("Unit" , "dPno" and "div"). If the TE67X000002029 analog module detects a situation that results in a status code indication different from 0, the display will show the status code as "-xxxx-" instead of the weight indication, and it will output its error value (see "An.Err." mode) on its analog output for the duration of this situation.

The zeroing is performed by pressing "Enter", if the correct password has been selected. A zeroed and empty system will cause the analog output signal to go to its minimum value (4mA or 0V). Note that on a TE67X000002029 analog module running in current configuration, the analog output signal can go below 4mA for negative weight indications.

The zeroing can also be made using the digital input IN1. Zeroing using the digital input IN1 can be performed regardless of password value and the selected display mode.

## 5.2.5 CAL.L. mode

This mode is used during calibration of the weight indication. The display shows the desired calibration load to be used during calibration. The calibration load is indicated in gram, kg or ton depending on the selected weighing parameters ("Unit" , "dPno" and "div"). The calibration itself is performed in "CAL." mode.

## 5.2.6 CAL. mode

This mode is used during calibration of the weight indication. The display shows the actual gross weight. The weight indication is indicated in gram, kg or ton depending on the selected weighing parameters ("Unit" , "dPno" and "div"). If the TE67X000002029 analog module detects a situation that results in a status code indication different from 0, the display will show the status code as "-xxxx-" instead of the weight indication, and it will output its error value (see "An.Err." mode) on its analog output for the duration of this situation.

Calibration of the gross weight to match the calibration load entered in "CAL.L." mode is performed by pressing "Enter", if the correct password has been selected. The complete calibration procedure for calibration is described later.

## 5.2.7 CAL.F. mode

This mode is used during reading/adjustment of the calibration factor. The calibration factor is changed after each performed calibration and should be noted so that it is possible to re-establish the calibration. The calibration factor can be changed directly if the correct password is selected. The calibration factor lays in the interval 104858 to 943718 with 524288 as the standard calibration factor (corresponding to no calibration). By changing the calibration factor within this interval it is possible to change the weight indication with  $\pm 80\%$ . The procedure for calibration is described below.

## 5.2.8 N.Lc. mode

This mode is used during installation to indicate the number of load cells (1-8) connected to the TE67X000002029 module. As an example, the "n.Lc." parameter should be 1 in a system consisting of a three legged tank, where only one corner contains a load cell. Note that changing the "n.Lc." parameter will clear the "SP. 1" , "SP. 2" , "An.SP." and the "CAL.L." parameters. If a change is made to this parameter, it may be necessary to turn the power off and on for the change to take effect.

## 5.2.9 N.Crn. mode

This mode is used during installation to indicate the number of corners (supporting points) (1-8). Note that it is the total number of supporting points including corners supported by load cells. As an example, the "n.Crn." parameter should be 3 in a system consisting of a three legged tank. Note that changing the "n.Crn." parameter will clear the "SP. 1" , "SP. 2" , "An.SP." and the "CAL.L." parameters.

## 5.2.10 Int.PEr. mode

This mode is used during installation to indicate the integration period (40ms, 100ms, 200ms, 400ms, 1000ms, 2000ms or 4000ms). This determines the time over which the load cell(s) are sampled to determine a new weight reading, and thereby how often the analog output signal is updated.

### 5.2.11 Unit mode

This mode is used during installation to select the desired unit used when presenting weight indications in the display. The unit can be set to gram, kg or ton. Note that changing the "Unit" parameter will clear the "SP. 1", "SP. 2", "An.SP." and the "CAL.L." parameters.

### 5.2.12 dPno mode

This mode is used during installation to select the desired decimal point position used when presenting weight indications in the display. The decimal point position specifies the number of digits following the decimal point, and it can be selected from a range of predefined values. Note that changing the "dPno" parameter will clear the "SP. 1", "SP. 2", "An.SP." and the "CAL.L." parameters.

### 5.2.13 div mode

This mode is used during installation to select the desired resolution used when presenting weight indications in the display. The resolution (or division) can be selected from a range of predefined values. Note that changing the "div" parameter will clear the "SP. 1", "SP. 2", "An.SP." and the "CAL.L." parameters.

### 5.2.14 SP. 1 and SP. 2 mode

This mode is used to set the two set points (SP1 and SP2) that are used for controlling the two level alarms implemented on digital outputs **OUT1** and **OUT2** as described later. The set points are indicated in gram, kg or ton depending on the selected weighing parameters ("Unit", "dPno" and "div").

### 5.2.15 An.SP. mode

This mode is used during installation to indicate the weight value that should result in maximum analog output signal (20mA or 10V). The analog set point that results in maximum analog output signal is indicated in gram, kg or ton depending on the selected weighing parameters ("Unit", "dPno" and "div").

### 5.2.16 An.Err. mode

This mode is used during installation to indicate the analog value (0-20mA or 0-10V) that is transferred on the analog output when status indication is different from 0.

### 5.2.17 An.tyPE. mode

This mode is used during installation (or error finding) to indicate what signal type is used to determine the signal on the analog output. "LoAd" can be selected causing the analog output signal to follow the gross weight indication in "LoAd" mode. Alternately "Lc 0" - "Lc 7" can be selected causing the analog output signal to follow one of the loadcell signals in "LC x" mode. During normal circumstances the parameter should be set to "LoAd".

### 5.2.18 rS485 mode

This mode is used during installation (or error finding) to indicate what signal is transferred on the serial RS485 communication channel. "LoAd" can be selected causing the gross weight indication in "LoAd" mode to be transferred. Alternately "Lc 0" - "Lc 7" can be selected causing one of the loadcell signals in "LC x" mode to be transferred. During normal circumstances the parameter should be set to "LoAd".

### 5.2.19 dAc.tSt. mode

This mode can be used to test the analog output signal. Once the "dAc.tSt." mode is entered the display will show "OFF" indicating that the analog test mode is disabled. To enable the analog test mode the "Enter" key must be pressed.

When the analog test mode is enabled, the display will show an analog test value that is sent out on the analog output. **NOTE** that this value overrides the normal analog output signal (based on the actual gross weight) for as long as the analog test mode is enabled. When the analog test mode is enabled, it is possible to change the analog test value by using the "Up" or "Down" key. Thus it is possible to set different values from 0mA (or 0V) to 20mA (or 10V) in increments of 1mA (or 0.5V).

The analog test mode is disabled by pressing the "Esc" key when still in "dAc.tSt." mode. The analog test mode is also automatically disabled once the "dAc.tSt." mode is left by pressing the "F" key. Once the analog test mode is disabled, the analog output signal will be controlled by the actual gross weight once again.

## 5.2.20 LC x mode

This mode is used to show the status or signal from load cell x. Thus it is possible to read the status/signal of all connected load cells. If no error is present on the selected load cell, the display will show the weight indication measured on that load cell. The weight indication is indicated in gram, kg or ton depending on the selected weighing parameters ("Unit", "dPno" and "div"). If the TE67X000002029 analog module detects a situation that results in a status code indication different from 0 for the selected load cell, the display will show the status code as "-xxxx-" instead of the weight indication.

## 5.2.21 Err.rEg. mode

If the TE67X000002029 analog module detects an error a corresponding error code can be read in this mode. If present these errors are normally detected upon power up, causing the TE67X000002029 analog module to produce a "PAr.SET." message. In this situation, pressing the "F" key will cause the module to enter "LoAd" mode without clearing the error. The error can then be examined in the "Err.rEg." mode for further information.

Please refer to the table describing the error codes for the cause and a possible solution.

Please note that these errors differ from the status codes that can be shown in the "LoAd", "ZEro" and "CAL." modes. Also these error codes will **NOT** result in a error signal (see "An.Err." mode) on the analog output.

### 5.3 Level alarms

The 2 digital outputs on the TE67X000002029 analog module can be used as level alarms.

Set points for the two alarms are set using the "SP. 1" or "SP. 2" modes.

The following applies to the two level alarms:

#### Level alarm 1:

The alarm is implemented on the **OUT1** output.

The level of activation is selected in the "SP. 1" mode.

The alarm is active **BELOW** SP1.

The alarm is active if the status code differs from 0.

#### Level alarm 2:

The alarm is implemented on the **OUT2** output.

The level of activation is selected in the "SP. 2" mode.

The alarm is active **ABOVE** SP2.

The alarm is active if the status code differs from 0.

### 5.4 Filtering

By use of DIP-switches it is possible to include one of 3 different FIR filters, which will be used to filter the weight signal. Thus it is possible, to send the unfiltered gross weight achieved over each integration period (Tavg) through one of the following FIR filters, before the result is displayed and send to the analog output:

<u>SW2.4</u>	<u>SW2.3</u>	<u>No.</u>	<u>Taps</u>	<u>Frequency</u>							<u>Damping</u>
				Tavg 40ms	Tavg 100ms	Tavg 200ms	Tavg 400ms	Tavg 1000ms	Tavg 2000ms	Tavg 4000ms	
OFF	OFF	0	-	-	-	-	-	-	-	-	-
ON	OFF	1	9	6.0 Hz	2.4 Hz	1.2 Hz	0.6 Hz	0.24 Hz	0.12 Hz	0.06 Hz	-80dB
OFF	ON	2	21	3.0 Hz	1.2 Hz	0.6 Hz	0.3 Hz	0.12 Hz	0.06 Hz	0.03 Hz	-80dB
ON	ON	3	85	0.75 Hz	0.3 Hz	0.15Hz	0.075Hz	0.03 Hz	0.015Hz	0.0075Hz	-80dB

**NOTE:** With both switches OFF, no filtering is performed.

## 5.5 RS485 serial communication

The TE67X000002029 analog module communicates on its RS485 communication channel using the following serial parameters:

Baudrate:	9600 bps
Data bits:	8
Parity:	None
Stop bits:	1

The TE67X000002029 analog module transmits status and measured weight every measurement period on its RS485 channel (9 pole sub-D connector) based on what has been selected in "r**S485**" mode.

If "LoAd" is selected the contents of the transmitted telegram is:

<Status> , <Load> <LF> <CR>

If "Lc 0" - "Lc 7" is selected the contents of the transmitted telegram is:

<LcStatus[x]> , <LcSignal[x]> <LF> <CR>

where:

- <LF> is a line feed character.
- <CR> is a carriage return character.
- <Status> is the status code as shown in the "LoAd" menu. This is a 4 character long hex number and should be 0000 during normal error free operation.
- <Load> is the gross weight as shown in the "LoAd" menu. This is a 6 character long value. Note that this field will be 7 characters long if a decimal point is used.
- <LcStatus[x]> is the status code as shown in the "LC x" menu. This is a 4 character long hex number and should be 0000 during normal error free operation.
- <LcSignal[x]> is the loadcell signal as shown in the "LC x" menu. This is a 6 character long value. Note that this field will be 7 characters long if a decimal point is used.

## 6) STATUS CODES

Status codes can be shown as a 4 digit hex number ("-xxxx-") instead of the actual gross weight in "LoAd", "ZEro" and "CAL." modes. If more than one of the status conditions listed below is present, the status codes are OR'ed together.

<b>CODE (Hex)</b>	<b>CAUSE</b>
0001	<b>Invalid/missing 'sample' ID</b> Bad connection between TE67X000002029 analog module and load cell module.
0002	<b>Load cell timeout</b> Bad connection between load cell and load cell module.
0004	<b>Load cell not synchronized</b> Bad connection between load cell and load cell module.
0008	<b>Hardware synchronization error</b> Cable between load cell modules shorted or disconnected.
0010	<b>Power failure</b> Supply voltage to load cells is too low.
0020	<b>Overflow in weight calculation</b> Internal error in load cell module.
0040	<b>Invalid/missing 'latch' ID</b> Bad connection between TE67X000002029 analog module and load cell module.
0080	<b>No answer from load cell module</b> No data is received from load cell module. This can be caused by the removal of a load cell module, no power to the module or that the connection between load cell module and TE67X000002029 analog module is broken.
0100	<i>Reserved for future use</i>
0200	<i>Reserved for future use</i>
0400	<i>Reserved for future use</i>
0800	<b>No load cell modules answer</b> Bad connection between TE67X000002029 analog module and load cell module. Not all telegrams from TE67X000002029 analog module are received in load cell module.
1000	<i>Reserved for future use</i>
2000	<i>Reserved for future use</i>
4000	<i>Reserved for future use</i>
8000	<b>Wrong number of load cells</b> The expected number of load cells found during power-on does not match the number indicated by the "n.Lc." parameter. If the "n.Lc." parameter setting is correct, it must be examined that all load cell module addresses are correct.

## 7) ERROR CODES

Error codes can be shown as a 4 digit hex number (" xxxx ") in the "Err.rEg." mode. Please note that these error codes are different from the status codes that can be shown in "LoAd", "ZEro" and "CAL." modes. If more than one of the error conditions listed below is present, the error codes are OR'ed together.

CODE (Hex)	CAUSE/SOLUTION
0001	<i>Reserved for future use</i>
0002	<b>Invalid calibration factor</b> The calibration factor was out of range during power-up, or the scale is not calibrated yet. Perform a calibration, or manually enter a new calibration factor different from the current, to achieve a valid calibration. Power the system off and back on to verify the problem has been solved.
0004	<b>Invalid zero</b> The zero was invalid during power-up, or the scale has not been zeroed yet. Perform a zero to achieve a valid zero. Power the system off and back on to verify the problem has been solved.
0008	<i>Reserved for future use</i>
0010	<b>Invalid weighing range parameter(s)</b> One or more weighing range parameters ("Unit", "dPno" and "div") were invalid or haven't been selected yet. Change all weighing range parameters to a new value different from their current value. Then change all weighing range parameters to their desired value. Power the system off and back on to verify the problem has been solved.
0020	<b>Invalid configuration parameter(s)</b> One or more configuration parameters ("n.Lc.", "n.Crn.", "Int.PEr.", "SP. 1", "SP. 2" and "An.SP.") were invalid or haven't been selected yet. Change all configuration parameters to a new value different from their current value. Then change all configuration parameters to their desired value. Power the system off and back on to verify the problem has been solved.

## 8) TROUBLE SHOOTING

### 8.1 Status code indication

If the TE67X000002029 analog module detects a situation that results in a status code indication different from 0, the TE67X000002029 analog module will output its error value (see "**An.Err.**" mode) on its analog output, and the level alarms will both be active, no matter what the current load is. As described earlier the actual status code will then be shown instead of the actual gross weight in the "**LoAd**", "**ZErO**" and "**CAL.**" modes. It will then be possible to use the "**LC x**" modes to try and locate the error.

### 8.2 Error code indication

If the TE67X000002029 analog module detects an error a corresponding error code can be read in the "**Err.rEg.**" mode as described earlier.

If present these errors are normally detected upon power up, causing the TE67X000002029 analog module to produce a "**PAr.SET.**" message. In this situation, pressing the "**F**" key will cause the module to enter "**LoAd**" mode without clearing the error. The error can then be examined in the "**Err.rEg.**" mode for further information.

Please refer to the table describing the error codes for the cause and a possible solution.

Please note that these errors differ from the status codes that can be shown in the "**LoAd**", "**ZErO**" and "**CAL.**" modes. Also these error codes will **NOT** result in a error signal (see "**An.Err.**" mode) on the analog output.

### 8.3 Analog output error

If the build-in DA-converter detects that the analog output signal is different from its programmed value, the "**AN.ERR.**" light emitting diode will be lit. This will for example be the case if the current-loop is broken in a system where the module is in its current configuration.

# 9) INSTALLATION OF SYSTEM

## 9.1 Checklist during installation

During installation of the system the following should be checked/performed:

- 1) The load cells are mounted mechanically and connected to the TE67X000002029 analog module using their corresponding load cell interface module. The load cell addresses are set using the DIP-switches on the load cell interface modules, so that they forth running from address 0 (0-7).
- 2) Check that the RS485 channel, the digital I/O and the analog connections of the TE67X000002029 analog module are made as described in the hardware description.
- 3) Select the desired filter using the DIP switches (Sw2.3-Sw2.4). Power is applied.
- 4) Verify that the green TXBB LED on the TE67X000002029 analog module is lit and that the TXBB LED's on the load cell interface modules are also lit (can flash slightly). Also verify that other LED's on the load cell module behave as expected.
- 5) Verify that no "**PAr.SET.**" message is produced at power-up. Upon power-up the TE67X000002029 analog module will automatically produce this message if errors are detected, or enter the "**LoAd**" mode if no errors are detected. Refer to the chapter describing error codes on how to solve/remove errors.
- 6) Verify that the red AN.ERR LED on the TE67X000002029 analog module is OFF.
- 7) Select "**PASS**" mode (using the "**F**" key), set the password to 1357 (using the arrow keys) and accept the value (using the "**Enter**" key).
- 8) Select "**n.Lc.**" mode and set the number of load cells connected to the TE67X000002029 module. If a change is made to this parameter, it may be necessary to turn the power off and on. Remember to set the password to 1357 once again, if power is turned off and on, and further settings have to be made.
- 9) Select "**n.Crn.**" mode and set the number of corners (supporting points).
- 10) Select "**Int.PEr.**" mode and set the desired integration period (40ms, 100ms, 200ms, 400ms, 1000ms, 2000ms or 4000ms).
- 11) Verify that the TE67X000002029 analog module has found the correct number of load cells and that no status codes (load cell errors) are indicated. The "**Lc X**" modes may be used to locate the origin of any errors present.
- 12) Select proper weighing range parameters using the "**Unit**" (unit), "**dPno**" (decimal point position) and "**div**" (division) modes. The weighing range parameters should match/reflect the actual weighing system and its capacity.
- 13) If the two level alarms implemented on digital outputs OUT1 and OUT2 are to be used set their controlling setpoints using the "**SP. 1**" and "**SP. 2**" modes.
- 14) Select "**An.SP.**" mode and set the load corresponding to 20mA (or 10V).
- 15) Select "**An.Err.**" mode and set value (0-20mA or 0-10V) transferred on the analog output when status code indication is different from 0.
- 16) Select "**An.tyPE.**" mode and check that "**LoAd**" is selected, so "**LoAd**" mode determines the analog signal.
- 17) Select "**rS485**" mode and check that "**LoAd**" is selected, so "**LoAd**" mode determines the signal on the RS485 channel.
- 18) Select "**ZERo**" mode, and with an empty weighing system zero the system by pressing "**Enter**".
- 19) Perform a calibration of the system as described below.
- 20) Select "**OutPut**" mode and verify using an instrument that the physical analog output signal behaves as expected depending on the actual load. If desired the "**dAc.tSt.**" mode can be used in addition to manually generate different analog test signals.

The system is now installed and a final zero can be made before the password is cleared (set to 0 and press the "**Enter**" key) and the module is set to "**LoAd**" mode.

## 9.2 Calibration procedure

Calibration of the TE67X000002029 analog module and the connected load cells is made using the following procedure:

1. Allow calibration by selecting the correct password (1357) in "**PASS**" mode.
2. Check that the weighing arrangement is empty and clean.
3. Zero the system using "**ZERo**" mode.
4. Check that the weight indication is zero. Zero again if necessary.
5. Place the calibration load on the system. The load should be as close to the maximum load as possible. In order to achieve a correct calibration of the system it is recommended, that the used calibration load is at least 50% of the system capacity.
6. Select "**CAL.L.**" mode and set the calibration load to match the applied load
7. Select "**CAL.**" mode and calibrate the system by pressing the "**Enter**" key. Hereby the calibration factor is changed so that the weight indication matches the actual load. This is verified in "**LoAd**" mode. Note that it is only possible to calibrate within an interval of  $\pm 80\%$ . If this is not enough, the mechanical part of the system should be checked, since this is most likely the cause to the problem.
8. Select "**CAL.F.**" mode and note the achieved calibration factor, so that the calibration can be re-established later.
9. The system is calibrated and the calibration should be protected by clearing the password (set to 0). Select "**LoAd**" mode and verify that a given load results in a matching weight indication.

The weight indication can also be calibrated directly by changing the calibration factor in "**CAL.F.**" mode. The following relationship between calibrated indication, uncalibrated indication and the calibration factor applies:

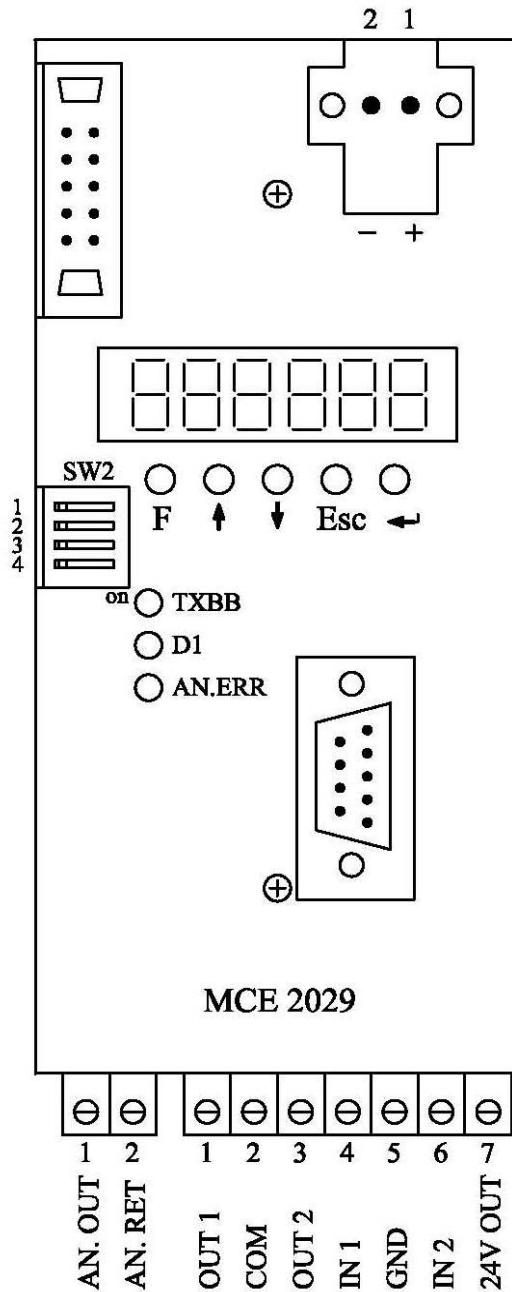
$$\text{Weight}_{\text{CAL.}} = [(\text{CALFAC}) / 524288] * \text{Weight}_{\text{UNCAL.}}$$

Note that the standard calibration factor of 524288 results in no calibration.

# 10) HARDWARE DESCRIPTION

## 10.1 TE67X000002029 overview

The following figure is an overview of the TE67X000002029 analog module:



## 10.2 Connection of power and load cells

The connection of power supply and load cells to the TE67X000002029 analog module is made as follows.

The 2 pole connector (J6) located **above** the display on the TE67X000002029 analog module is connected to 24VDC. The 2 pole connector (J6) on the TE67X000002029 analog module has these connections:

PIN NO.	PIN DESIGNATION	CONNECTION
1	+	+24VDC ( $V_{in}$ )
2	-	0 VDC ( $GND_{in}$ )

**IMPORTANT:** The used power supply must be stable and free of transients. It may therefore be necessary to use a separate power supply dedicated to the weighing system, and not connected to any other equipment.

The 10 pole connector (J2) located **above** the display on the TE67X000002029 analog module is connected to the 10 pole connectors on the load cell interface modules (TE67X000002010) using the supplied ribbon cable with mounted connectors. Through this bus cable the TE67X000002029 analog module supplies the load cell modules with +24VDC, and data can be transferred from the load cell modules to the TE67X000002029 analog module. The 10 pole connector (J2) on the TE67X000002029 analog module has these connections:

TE67X000002029 J2 CONNecTOR	FUNCTION
J2.1 – J2.2	RS485-B (DATA- )
J2.3 – J2.4	RS485-A (DATA+)
J2.5 – J2.6	0 VDC (GND)
J2.7 – J2.8	+24VDC
J2.9 – J2.10	I/O line

## 10.3 DIP-switch settings

The TE67X000002029 analog module is equipped with a 4 pole DIP-switch block (SW2). The switches are only read during power-on, and have the following function..

SWITCH	FUNCTION
Sw2.1-Sw2.2	<i>Reserved for future use.</i>
Sw2.3-Sw2.4	<b>Filtering</b> Used to select the desired filter as described in an earlier chapter.

## 10.4 Light Emitting Diodes

The TE67X000002029 analog module is equipped with 3 light emitting diodes (LED). These LED's have the following function:

LED	FUNCTION
TXBB (Green)	<b>Communication with load cells</b> TE67X000002029 analog module is communicating with load cells.
D1 (Yellow)	<b>Key is pressed</b> A key on the keyboard is pressed.
AN.ERR. (Red)	<b>Analog Error</b> The current on the analog output differs from its programmed value. This may be the case if the current-loop is broken.

## 10.5 Jumpers

The TE67X000002029 analog module is equipped with 8 jumpers. These jumpers are only read at power-on, and they have the following functions:

JUMPER	FUNCTION
JU1	<b>Analog output type (mA or Volt)</b> Jumper OFF : mA output (normal default factory) Jumper ON : Voltage output
JU6	<i>Reserved for future use (normal default factory setting is OFF)</i>
JU7	<i>Reserved for future use (normal default factory setting is OFF/UNSOLDERED)</i>
JU8	<i>Reserved for future use (normal default factory setting is OFF/UNSOLDERED)</i>
JU12	<b>REF<sub>IN</sub> – REF<sub>OUT</sub> short</b> (setting must <u>always</u> be OFF)
J4	<b>Analog output type (mA or Volt)</b> Jumper on pin 1-2 : mA output (normal default factory) Jumper on pin 2-3 : Voltage output
J8	<b>DAC Range Select 1</b> Jumper on pin 1-2 : not used Jumper on pin 2-3 : mA or Voltage output (normal default factory)
J9	<b>DAC Range Select 2</b> Jumper on pin 1-2 : mA output (normal default factory) Jumper on pin 2-3 : Voltage output

**IMPORTANT:** The placement of these should not be changed without consulting Alfa Laval A/S. Changing jumper settings subsequently requires a fine adjustment of the hardware calibration of the analog output using the potentiometers P1 (SPAN/GAIN) and P2 (OFFSET/ZERO).

## 10.6 JTAG connector

The TE67X000002029 analog module is equipped with an internal JTAG connector. The connector (J5) is used exclusively by Alfa Laval A/S for download of software to the Cygnal processor.

## 10.7 RS485 connector

The TE67X000002029 analog module is equipped with a 9 pole female sub-D connector for RS485 connection. The connector (J12) is used exclusively by Alfa Laval A/S for connection to a PC for configuration/monitoring of the TE67X000002029 analog module. The connector (J12) has the following pin out:

9 pole subD (J12)	FUNCTION
J12.5	RS485-GND
J12.6	RS485-A (+)
J12.9	RS485-B (-)

## 10.8 Analog output connector

The 2 pole connector (J1) located **below** the display on the TE67X000002029 analog module is used for connection of the analog output signal. Connection of the analog output signal is done as follows:

PIN NO.	PIN DESIGNATION	FUNCTION
1	AN. OUT	Analog output
2	AN. RET	Analog return

### **NOTE:**

The analog output is an active output, and should NOT be connected to an active input.

## 10.9 Digital output and input connector

The 7 pole connector located **below** the display on the TE67X000002029 analog module is used for connection of the digital outputs and digital inputs. Connection of the digital outputs and digital inputs is done as follows:

PIN NO.	PIN DESIGNATION	FUNCTION
1	OUT1	<b>OUT1 - Digital Output 1</b> Level alarm controlled by SP1. Output is active below SP1.
2	COM	<b>Common</b> Voltage connected to this pin (normally 24VDC) is sent to outputs when they are active.
3	OUT2	<b>OUT2 - Digital Output 2</b> Level alarm controlled by SP2. Output is active above SP2.
4	IN1	<b>Digital Input 1 (IN1) – ZERO</b> Zeroing of gross weight. Must be active for at least 1 second. Closing switch to 24VDC <sub>out</sub> .
5	GND	<b>GND</b>
6	IN2	<b>Digital Input 2 (IN2)</b> <i>Reserved for future use – NOT connected</i>
7	24V OUT	24VDC <sub>out</sub> Used for activating digital inputs.

**IMPORTANT:** Connection of the digital I/O signals to external equipment must be made using solid-state-relays (SSR).

## 10.10 Hardware Selftest

During power-on the TE67X000002029 analog module will perform a hardware selftest. The test will cause all the displays to turn on while the light emitting diodes D1 will turn on and off shortly.

## 10.11 Update times

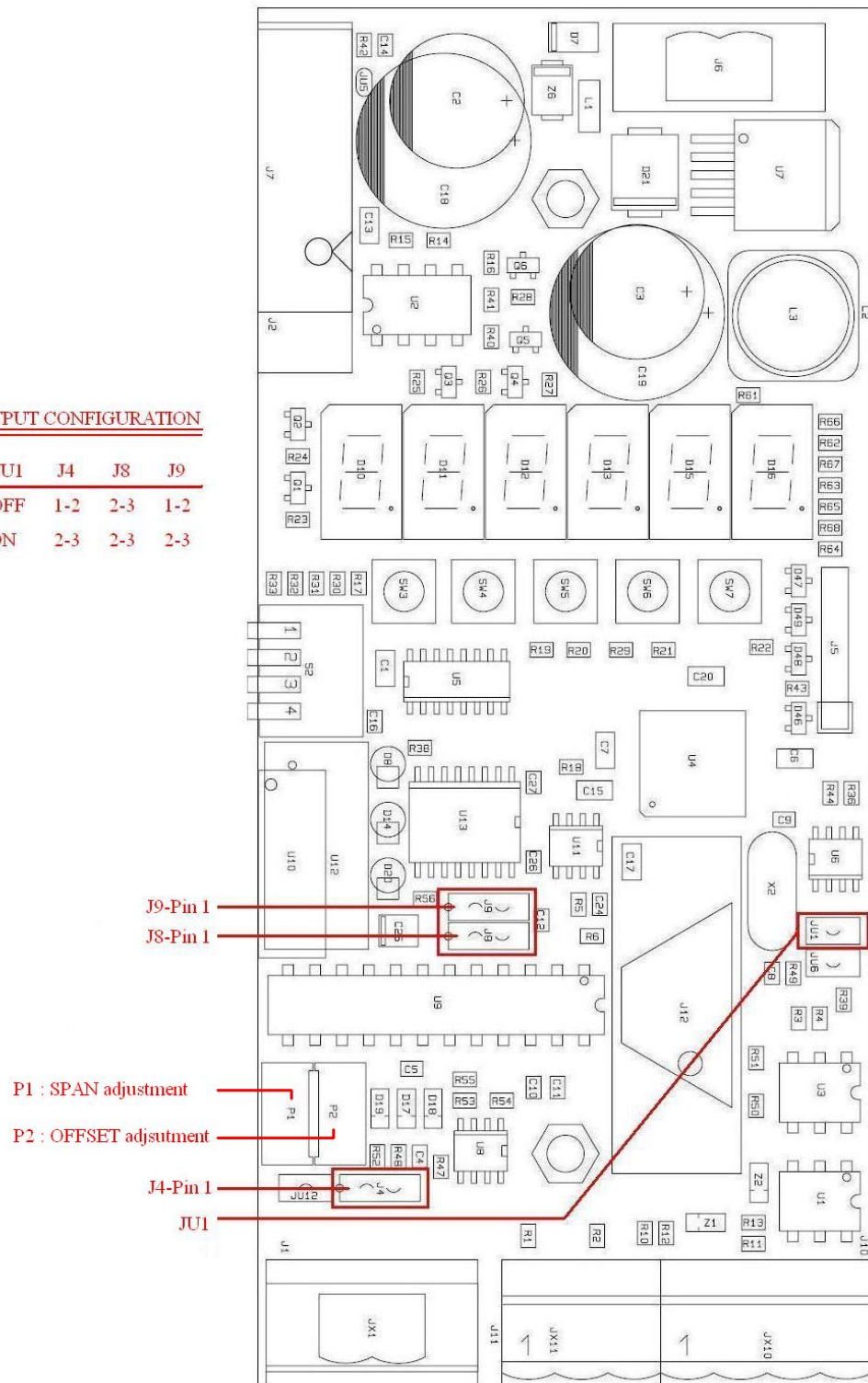
All load cells are sampled/averaged over the time period selected in "Int.PEr." mode (40ms, 100ms, 200ms, 400ms, 1000ms, 2000ms or 4000ms). The hereby found load cell signals are used to generate the weight reading and the 4-20 mA (or 0-10V) signal until new signals are achieved when the next sample/average period expires.

## 10.12 Component layout

The following figure is an overview of the component layout on the TE67X00002029 analog module:

### ANALOG OUTPUT CONFIGURATION

	JU1	J4	J8	J9
4-20mA :	OFF	1-2	2-3	1-2
0-10V :	ON	2-3	2-3	2-3



# 11) Maintenance, Service / Repair & Warranty

## 11.1 Maintenance

This device is maintenance-free, but to ensure optimum accuracy of the weighing installation it is recommended to inspect the weighing system installation at regular intervals.

Recommended inspection points are:

1: Verify that tank is freestanding. Are all pipe connections flexible and not restraining vertical movement of the tank?

1a: Verify that no changes have been done to the tank? If any modifications has been performed ensure that they are done correctly according to installation recommendations for weighing systems.

2: Verify that all legs of the tanks all are in physical contact with load cells.

2a: on analog output module (TE67X000002029), verify that load from the empty tank is evenly distributed between the legs, load on each leg can be read-out through parameter "LCx mode". If load is unevenly distributed check and re adjust tank legs to ensure even load distribution.

## 11.2 Service / Repair

### 11.2.1 Return

Upon every return of the device, no matter if for recalibration, modifications or repair, it is necessary to contact your local Alfa Laval office to guarantee a quick execution of your request.

Please inform us by sending an email to: [Alteq.PartsandService@alfalaval.com](mailto:Alteq.PartsandService@alfalaval.com). Include the number of devices sent and request a Return Number. Afterwards clean the device, pack it shatterproof and send it to Alfa Laval Tank Equipment A/S indicating the Return Number.

### 11.3 Warranty conditions

The warranty conditions are subject to the legal warranty period of 12 months from the date of delivery. In case of improper use, modifications of or damages to the device, we do not accept warranty claims. Damaged diaphragms will also not be accepted. Furthermore, defects due to normal wear are not subject to warranty services.

## 12) How to contact Alfa Laval Tank Equipment A/S

For further information please feel free to contact:

Alfa Laval Tank Equipment A/S  
Baldershoej 19  
P.O. Box 1149  
2635 Ishoej  
Denmark

Phone no.: +45 43 55 86 00  
Fax no.: +45 43 55 86 01  
[www.alfalaval.com](http://www.alfalaval.com)

Contact details for all countries are continually updated on our websites.

# 13) EC Declaration of conformity

The designated company

Alfa Laval Tank Equipment A/S

Company name

Baldershøj 19, DK-2635 Ishøj, Denmark

Address

+45 43 55 86 00

Phone no.

hereby declare that

Alfa Laval Weighing system

Denomination

TE67Jxxxxxxxxx

Type

is in conformity with the provisions of the Directive 73/23/EEC appendix IIIB and directive 89/356/EEC.

And furthermore declares that the following (parts/clauses of) applicable directives have been used:

- EN 61010 Part 1 (Safety requirements for electrical equipment for measurements control and laboratory use)
- EN 60529 (degrees of protection provided by enclosures)
- EN50081 part 1 (EMC, generic emission standard)
- 50082 part 2 (EMC, generic immunity standard)

The technical construction file for this instrument is retained at the above address.

R&D Manager

Title

Henrik Falster Hansen

Name



Signature

January 10, 2011

Date

Alfa Laval Tank Equipment A/S

Company



**How to contact Alfa Laval**

Contact details for all countries are continually updated on our website.

Please visit [www.alfalaval.com](http://www.alfalaval.com) to access the information directly.

© Alfa Laval Corporate AB

This document and its contents is owned by Alfa Laval Corporate AB and protected by laws governing intellectual property and thereto related rights. It is the responsibility of the user of this document to comply with all applicable intellectual property laws. Without limiting any rights related to this document, no part of this document may be copied, reproduced or transmitted in any form or by any means (electronic, mechanical, photocopying, recording, or otherwise), or for any purpose, without the expressed permission of Alfa Laval Corporate AB. Alfa Laval Corporate AB will enforce its rights related to this document to the fullest extent of the law, including the seeking of criminal prosecution.