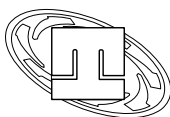


DIMENSIONI D'INGOMBRO

Overall dimensions

POMPE PER VUOTO AD ANELLO DI LIQUIDO  
Liquid ring vacuum pumps

TIPO  
Type TRSK 2002÷5005/1-B



**pompetravaini** s.p.a.

CASTANO PRIMO (MILANO)

pag. 1/2

Versione ad ASSE NUDO – BARESHAFT construction

Z2

Ingresso flussaggio dall'esterno per tenute a baderna  
Packed stuffing boxes flushing inlet from outside

DNM

Scarico gas  
Gas discharge

DNA

Aspirazione gas  
Gas suction

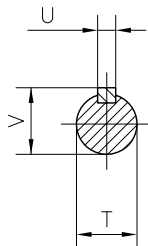
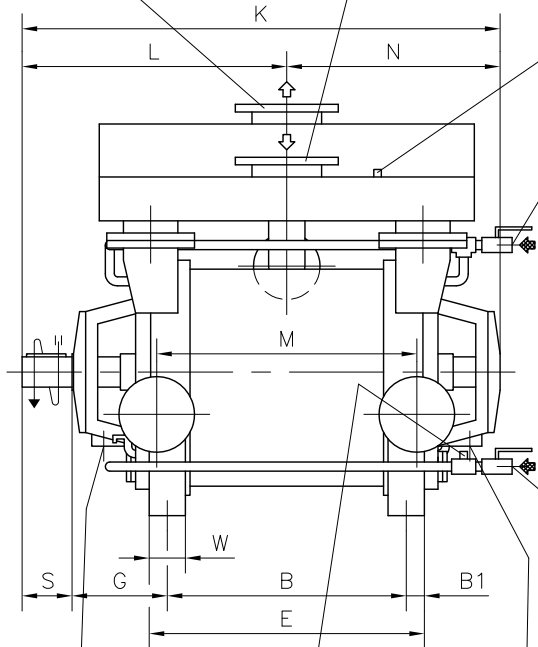
G1/2

Connessione per vuotometro  
Vacuum gauge connection

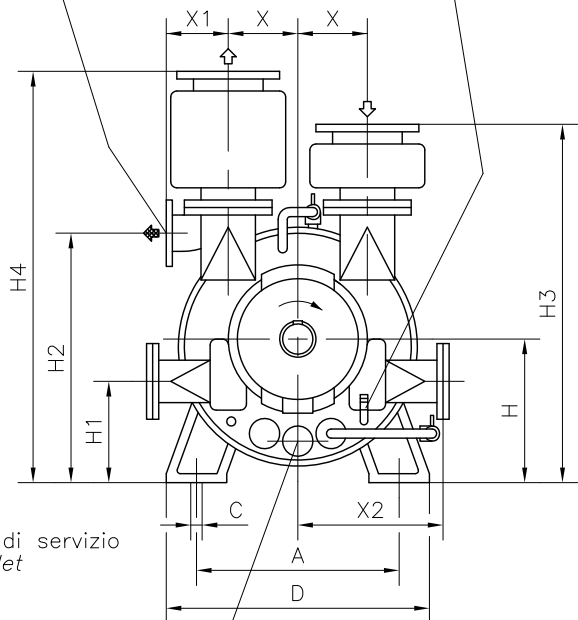
Z1

Uscita liquido di servizio  
Service liquid outlet

Valvola automatica di drenaggio  
Automatic drain valve



Z  
Ingresso liquido di servizio  
Service liquid inlet



Z4  
Connessioni per flussaggio e drenaggio  
Flushing and drain connections

Z3

Connessione per perdita tenute a baderna  
Packed stuffing boxes leakage connection

G1/2  
Connessione per manovuotometro  
Mano vacuum gauge connection

FLANGE SECONDO UNI 2223-2229-PN 10  
Flanges according to UNI 2223-2229-NP 10



| POMPA TIPO<br>Pump model | DNA    | DNM    | A    | B    | B1   | C  | D    | E    | G   | H    | H1  | H2   | H3   | H4   | K    | L    | M    | N    |
|--------------------------|--------|--------|------|------|------|----|------|------|-----|------|-----|------|------|------|------|------|------|------|
| TRSK 2002/1-B            |        |        |      | 790  |      |    |      | 895  |     |      |     |      |      |      | 1580 | 873  | 864  | 707  |
| TRSK 2004/1-B            | DN 200 | DN 200 | 670  | 990  | 52,5 |    | 870  | 1095 | 315 | 475  | 335 | 825  | 1185 | 1360 | 1780 | 973  | 1064 | 807  |
| TRSK 2005/1-B            |        |        |      | 900  |      | 35 |      | 1005 |     |      |     |      |      |      | 1695 | 930  | 980  | 765  |
| TRSK 2502/1-B            |        |        |      | 1150 | 60   |    |      | 1270 |     |      |     |      |      |      | 1985 | 1075 | 1240 | 910  |
| TRSK 2505/1-B            | DN 250 | DN 250 | 800  | 1050 | 60   |    | 1000 | 1170 | 335 | 560  | 395 | 930  | 1370 | 1570 | 1885 | 1025 | 1140 | 860  |
| TRSK 3000/1-B            |        |        |      | 1300 | 72   |    |      | 1444 |     |      |     |      | 1408 | 1648 | 2135 | 1150 | 1390 | 985  |
| TRSK 3002/1-B            |        |        |      | 1110 |      |    |      | 1240 |     |      |     |      |      |      | 2170 | 1188 | 1210 | 982  |
| TRSK 3004/1-B            |        |        |      | 1480 |      |    |      | 1610 |     |      |     |      |      |      | 2540 | 1373 | 1580 | 1167 |
| TRSK 3005/1-B            | DN 300 | DN 300 | 950  | 1260 | 65   |    | 1200 | 1390 | 355 | 670  | 475 | 1120 | 1625 | 1865 | 2170 | 1185 | 1360 | 985  |
| TRSK 3006/1-B            |        |        |      | 1700 |      |    |      | 1830 |     |      |     |      |      |      | 2760 | 1483 | 1800 | 1277 |
| TRSK 3500/1-B            |        |        |      | 1608 |      | 42 |      | 1738 |     |      |     |      | 1663 | 1948 | 2518 | 1359 | 1708 | 1159 |
| TRSK 3502/1-B            |        |        |      | 1450 |      |    |      | 1600 |     |      |     |      |      |      | 2435 | 1340 | 1590 | 1095 |
| TRSK 3504/1-B            | DN 350 | DN 350 | 1120 | 1670 | 75   |    | 1370 | 1820 | 375 | 800  | 560 | 1335 | 1875 | 2160 | 2655 | 1450 | 1810 | 1205 |
| TRSK 3505/1-B            |        |        |      | 1450 |      |    |      | 1600 |     |      |     |      |      |      | 2435 | 1340 | 1590 | 1095 |
| TRSK 4000/1-B            |        |        |      | 1820 |      |    |      | 1970 |     |      |     | 1256 | 1923 | 2263 | 2805 | 1525 | 1780 | 1280 |
| TRSK 4002/1-B            |        |        |      | 1700 |      |    |      | 1875 |     |      |     |      |      |      | 2730 | 1488 | 1880 | 1242 |
| TRSK 4004/1-B            | DN 400 | DN 400 | 1320 | 1950 | 87,5 |    | 1620 | 2125 | 400 | 950  | 665 | 1555 | 2220 | 2560 | 2980 | 1613 | 2130 | 1367 |
| TRSK 4005/1-B            |        |        |      | 1700 |      |    |      | 1875 |     |      |     |      |      |      | 2730 | 1488 | 1880 | 1242 |
| TRSK 4504/1-B            | DN 450 | DN 450 |      | 2129 |      |    |      | 2304 |     |      |     | 1550 | 2285 | 2688 | 3159 | 1705 | 2309 | 1454 |
| TRSK 5002/1-B            |        |        |      | 2020 |      | 48 |      | 2220 |     |      |     |      |      |      | 3185 | 1735 | 2230 | 1450 |
| TRSK 5004/1-B            |        |        |      | 2280 |      |    |      | 2480 | 450 | 1120 | 790 | 1835 | 2560 | 2965 | 3445 | 1865 | 2490 | 1580 |
| TRSK 5005/1-B            | DN 500 | DN 500 | 1600 | 2020 | 100  |    | 1900 | 2220 |     |      |     |      |      |      | 3185 | 1735 | 2230 | 1450 |
| TRSK 5008/1-B            |        |        |      | 2490 |      |    |      | 2690 |     |      |     |      |      |      | 3655 | 1975 | 2700 | 1680 |

DISEGNO SCHEMATICO – DIMENSIONI IN MM. CON TOLLERANZE SECONDO EN 735-1995 E PESI IN KG. NON IMPEGNATIVI  
Schematic drawing – Dimensions in mm. with tolerances according to EN 735-1995 and weights in kgs. not binding

RIF. – Ref.: F.P./C.T.

SOSTITUISCE – Replaces: 8315÷8544.OA1.201.03.A

DATA – Date: DICEMBRE 2008 – December 2008

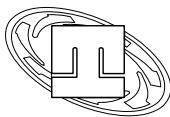
N°.: 8315÷8544.OA1.201.04.A

DIMENSIONI D'INGOMBRO

Overall dimensions

POMPE PER VUOTO AD ANELLO DI LIQUIDO  
Liquid ring vacuum pumps

TIPO  
Type TRSK 2002÷5005/1-B



**pompetravaini** S.p.A.

CASTANO PRIMO (MILANO)

pag. 2/2

Versione ad ASSE NUDO – BARESHAFT construction

Z2

Ingresso flussaggio dall'esterno per tenute a baderna  
Packed stuffing boxes flushing inlet from outside

DNM

Scarico gas  
Gas discharge

DNA

Aspirazione gas  
Gas suction

G1/2

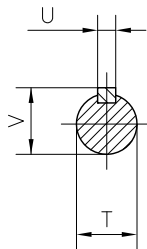
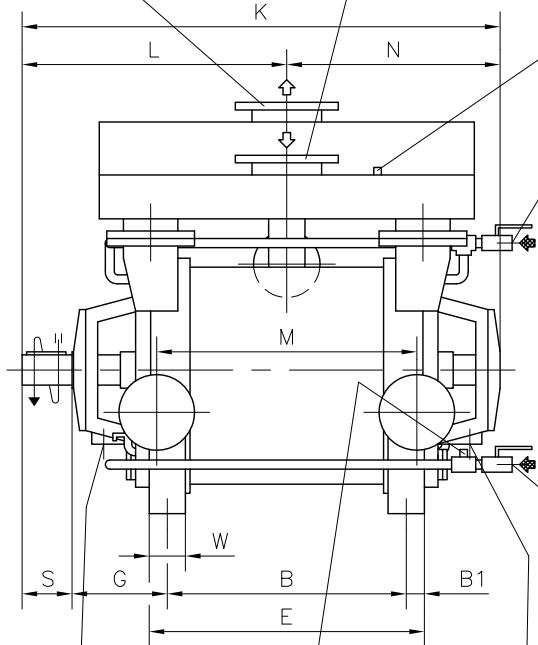
Connessione per vuotometro  
Vacuum gauge connection

Z1

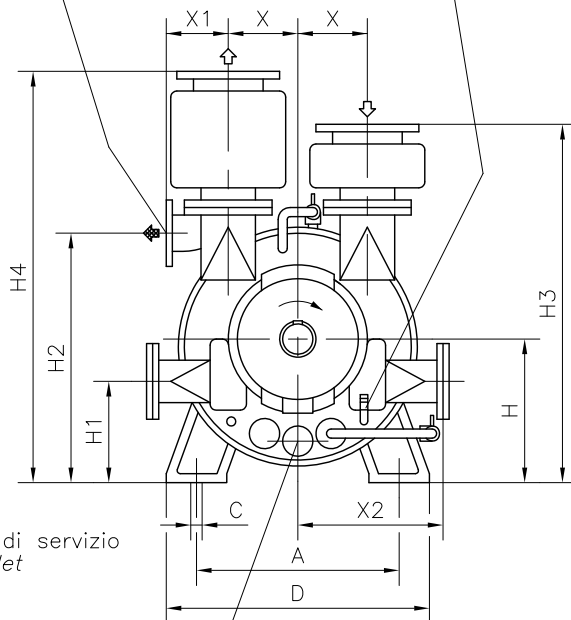
Uscita liquido di servizio  
Service liquid outlet

Valvola automatica di drenaggio

Automatic drain valve



Z  
Ingresso liquido di servizio  
Service liquid inlet



Z4

Connessioni per flussaggio e drenaggio  
Flushing and drain connections

Z3

Connessione per perdita tenute a baderna  
Packed stuffing boxes leakage connection

G1/2  
Connessione per manovuotometro  
Mano vacuum gauge connection

FLANGE SECONDO UNI 2223-2229-PN 10  
Flanges according to UNI 2223-2229-NP 10



| POMPA TIPO<br>Pump model | S   | T   | U  | V   | W   | X   | X1  | X2   | Z       | Z1     | Z2      | Z3    | Z4    | PESO<br>Weight |
|--------------------------|-----|-----|----|-----|-----|-----|-----|------|---------|--------|---------|-------|-------|----------------|
| TRSK 2002/1-B            |     |     |    |     |     |     |     |      |         |        |         |       |       | 1500           |
| TRSK 2004/1-B            |     |     |    |     |     |     |     |      |         |        |         |       |       | 1600           |
| TRSK 2005/1-B            |     |     |    |     |     |     |     |      |         |        |         |       |       | 1500           |
| TRSK 2502/1-B            | 165 |     |    |     |     |     |     |      |         |        |         |       |       | 2400           |
| TRSK 2505/1-B            |     |     |    |     |     |     |     |      |         |        |         |       |       | 2200           |
| TRSK 3000/1-B            |     |     |    |     |     |     |     |      |         |        |         |       |       | 3050           |
| TRSK 3002/1-B            |     |     |    |     |     |     |     |      |         |        |         |       |       | 3500           |
| TRSK 3004/1-B            |     |     |    |     |     |     |     |      |         |        |         |       |       | 3800           |
| TRSK 3005/1-B            | 200 | 140 | 36 | 148 | 130 | 335 |     | 685  | G 1 1/2 |        | G 1 1/4 |       |       | 3400           |
| TRSK 3006/1-B            |     |     |    |     |     |     | 285 |      |         |        |         |       |       | 4000           |
| TRSK 3500/1-B            |     |     |    |     |     |     |     | 655  | G 2     | DN 150 |         |       | DN 40 | 4350           |
| TRSK 3502/1-B            |     |     |    |     |     |     |     |      |         |        |         |       |       | 5100           |
| TRSK 3504/1-B            |     |     |    |     |     |     |     |      |         |        |         |       |       | 5500           |
| TRSK 3505/1-B            |     | 160 | 40 | 169 | 150 | 385 |     | 775  | G 2 1/2 |        | G 1     |       |       | 5100           |
| TRSK 4000/1-B            |     |     |    |     |     |     |     |      |         |        |         |       |       | 6560           |
| TRSK 4002/1-B            | 240 |     |    |     |     |     |     |      |         | DN 200 |         | G 3/4 |       | 8000           |
| TRSK 4004/1-B            |     |     |    |     |     |     |     |      |         |        |         |       |       | 8500           |
| TRSK 4005/1-B            |     | 180 |    | 190 | 175 | 435 |     | 875  |         |        |         |       | DN 50 | 7900           |
| TRSK 4504/1-B            |     |     |    |     |     |     |     |      |         |        |         |       |       | 10200          |
| TRSK 5002/1-B            |     |     | 45 |     |     |     | 370 |      | DN 80   | DN 200 | DN 25   |       |       | 11500          |
| TRSK 5004/1-B            |     |     |    |     |     |     |     |      |         |        |         |       |       | 12300          |
| TRSK 5005/1-B            | 280 | 200 |    | 210 | 200 | 490 |     | 1025 |         |        |         |       | DN 65 | 11500          |
| TRSK 5008/1-B            |     |     |    |     |     |     |     |      |         |        |         |       |       | 13950          |

DISEGNO SCHEMATICO – DIMENSIONI IN MM. CON TOLLERANZE SECONDO EN 735-1995 E PESI IN KG. NON IMPEGNATIVI  
Schematic drawing – Dimensions in mm. with tolerances according to EN 735-1995 and weights in kgs. not binding

RIF. – Ref.: F.P./C.T.

SOSTITUISCE – Replaces: 8315÷8544.OA1.201.02.B

DATA – Date: DICEMBRE 2008 – December 2008

N°.: 8315÷8544.OA1.201.03.B