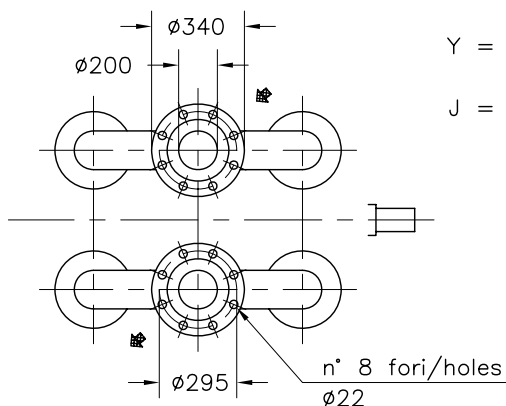
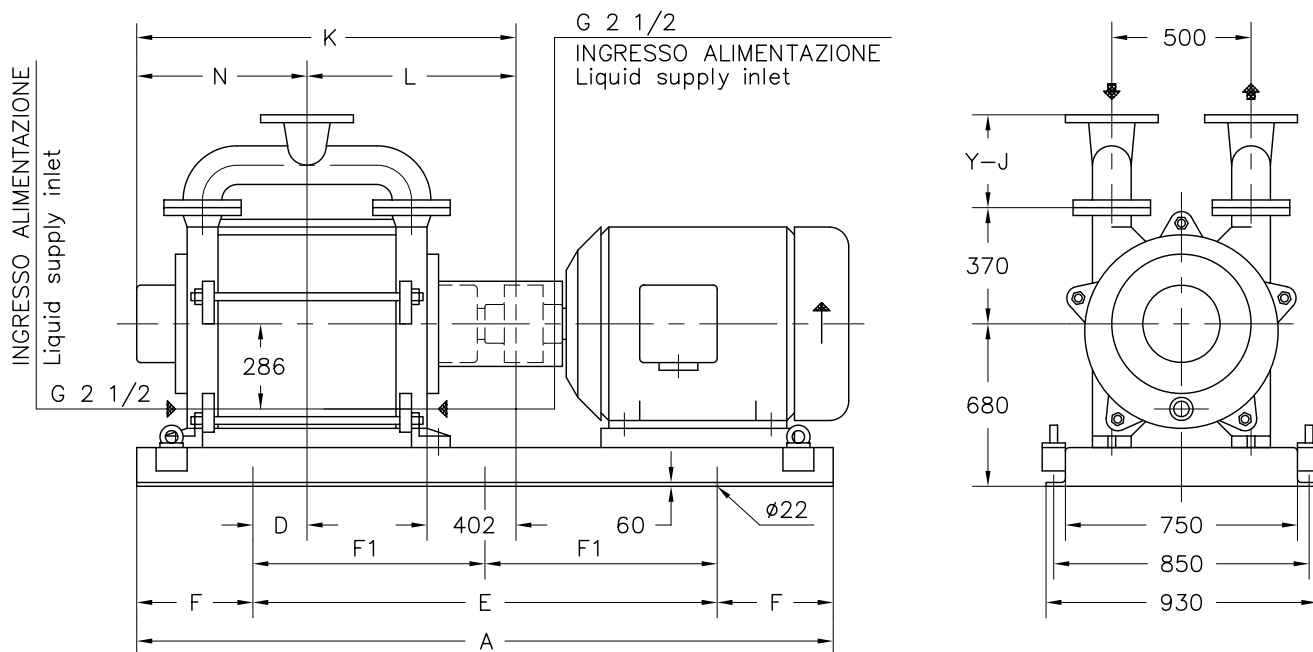


Versione **ACCOPPIATA (BASE-GIUNTO)**
COUPLED construction (BASEPLATE-COUPLING)



Y = Dimensione valida per pompe in Ghisa (GH)
 Dimension valid for pumps in Cast Iron (GH) construction
 J = Dimensione valida per pompe in Acc. Inox AISI 316 (A3)
 Dimension valid for pumps in S.S. AISI 316 (A3) construction

FLANGE SECONDO UNI 2223 PN 10
 Flanges according to UNI 2223 NP 10

① PESO ESCLUSO MOTORE
 Weight without motor

POMPA TIPO Pump type	MOTORE A 8 POLI 8 Poles Motor UNEL-MEC-B3		BASE Base-plate N°	POMPA Pump								PESO Weight ①								
	Tipo/Type	kW		A	D	E	F	F1	K	L	N		Y	J						
TRSA 200-1950/C	315 MA	75	60F	2400	350	1800	300	900	1410	787	623	262	463	1600						
	315 MB	90			340				1510	837	673		474							
TRSA 200-2500/C	315 MB	90			190				1800	300	900		1610		887	723	476	1800		
	355 S	110			200														1940	
TRSA 200-3100/C	355 S	110			61F				2800	230	1900		450		950	1610	887	723	476	1800
	355 MB	160								1940										

DISEGNO SCHEMATICO - DIMENSIONI IN MM. CON TOLLERANZE SECONDO EN 735-1995 E PESI IN KG. NON IMPEGNATIVI
 Schematic drawing - Dimensions in mm. with tolerances according to EN 735-1995 and weights in kgs. not binding