



SCANDI BREW® Sample cock

Sampling

Application

To take bulk samples of low and high viscous liquids from tanks and pipework with reliable reproducible results.

Construction

Hygienic design, spring loaded plug with 90° boring, and side opening in valve housing for drainage.

Housing and inlet: Stainless steel AISI 316

Cock plug, handle and outlet: Stainless steel AISI 304

The valve body is supplied with male part in 3/8" BSP for socket mounting. Valve outlet is as standard available as hose piece designed as clip-on type or male thread 3/8" BSP. The handle turns 120°.

Max. product pressure is 5 bar (71 psi).

Operation

The sample cock has a fixed handle and is manually operated. Samples are taken from the bottom outlet. In closed position after sampling, the cock drains out completely so that no product remains inside the cock.

Cleaning

After sampling the cock should be flushed with water. Sterilization is possible with alcohol - or the valve can be flame sterilized. Please do not overheat the sample cock. In case the cock is included in CIP with vessel or pipeline cleaning, the cock should be lubricated with grease of food quality afterwards.

Mounting

On tanks and pipework. The sample cock should be placed directly at the sampling place with minimum distance to the product.

Mounting sockets in stainless steel AISI 316L for welding into tanks and pipework are available with material certificate.

Maintenance

The plug of the sample cock must be lubricated with food-grade grease when the cock is included in CIP of vessel or pipeline. Hand tools may not be used on the sample cock.



Benefits

- Easy to clean
- Flame sterilizable
- Self draining
- Safe to secondary contamination
- Suited for low as well as high viscous liquids
- Representative sampling, giving repeatable results

Extra Equipment

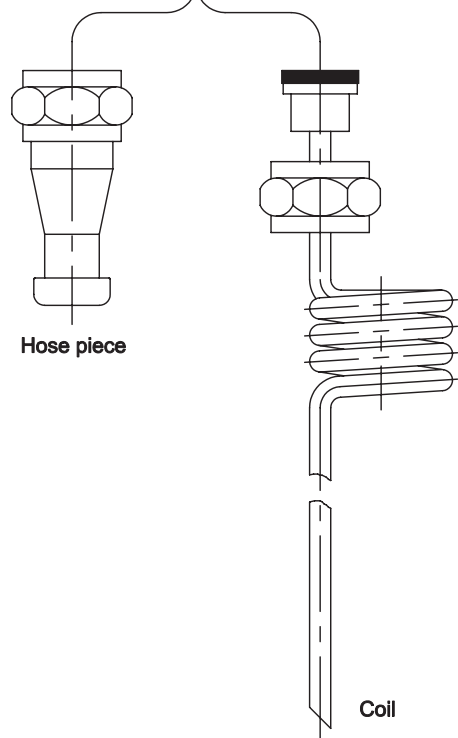
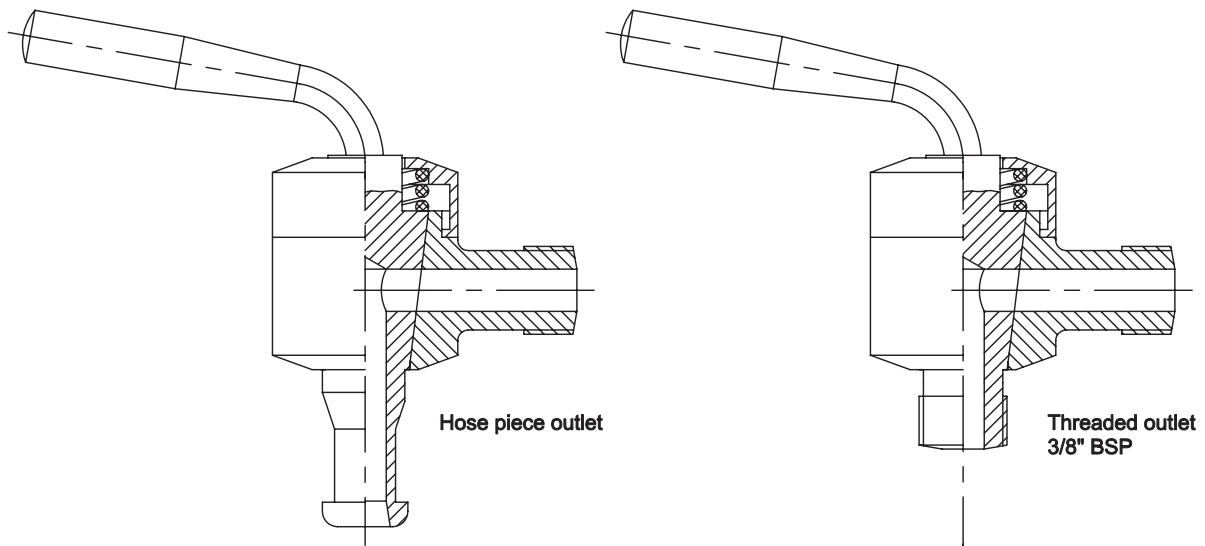
For sample cock with threaded outlet

- Hose piece and coil outlets
- Isobaric hand bottling device for bulk sampling

For sample cock with hose piece outlet

- Sampling coil with clip-on
- Isobaric hand bottling device for bulk sampling

Standard Versions:



Mounting Sockets:

