



SCANDI BREW® Membrane sample valve

Sampling

Application

The membrane sample valve is used for sampling from tanks and pipework under sterile conditions for physico-chemical or micro-biological analyses.

Design

The valve body is available in the following constructions:

- Type T for direct welding into tank
- Type P for direct welding into pipe
- Type S for socket mounting.
Valve body with male part in 3/8" BSP
- Other types are available on request, f.inst. 1/2" BSP, NW 10, NW 15.

All types are available for manual or pneumatic operation. The two outlets are hose pieces designed as clip-on. The standard valve is equipped with one clip-on closing cap.

Special versions - please see reverse side.

The membrane sample valve is mounted on tanks and pipework. Normally the valve should be mounted horizontally with one outlet in upward position and one in downward. If the valve is mounted in another position, it should be secured that complete drainage can take place from one of the outlets.

The benefits of the membrane sample valve are:

- Sterilisable in place with alcohol or steam
- Membrane sealing directly against product
- Representative sampling, giving repeatable results
- Safe to secondary contamination
- Dual purpose, bulk and micro samples (special version)
- Pilfer proof
- Manual and pneumatic operation

Working principle

Sampling should only be done from a from sterile sample valve. Before opening the valve, the closing cap should be placed on upper hose piece. Afterwards, the handle is placed into a horizontal position until the required flow through the lower outlet is obtained.

After sampling, the handle should be pulled back into vertical position whereafter the valve is closed.

In this position, the handle can be removed if required.



Aseptic sampling is possible from a special valve type with micro port. By removing the red closing cap, a hypodermic needle can be inserted through a central channel into the membrane and the aseptic sampling takes place with the valve in closed position.

After sampling the valve should be flushed with water or alcohol. Sterilization has to take place by means of alcohol or steam. When not in use, the valve may be sealed with alcohol by leaving the clip-on closing cap on the lower outlet and filling with alcohol. By aseptic sampling the channel is to be rinsed with alcohol.

Cleaning in place only with vessel or pipeline cleaning. By interval flipping of valve, optimal cleaning of valve seat is obtained.

Type S should be flushed backwards from outlet to secure a clean connection to tank or pipe.

Specifications

Valve body:	Stainless steel EN 1.4404 (AISI 316L) (welding parts with material certificate)
Other metallic parts:	Stainless steel EN 1.4307 (AISI 304L)
Membrane:	Silicone. EPDM on request
Product pressure:	Max. 6 bar (86 psi) as standard. 10 bar is available on request.

Extra Equipment

- Handle for operating the valve
- Assembling tool
- Membrane remover
- Proximity switch for indication of open/closed valve position

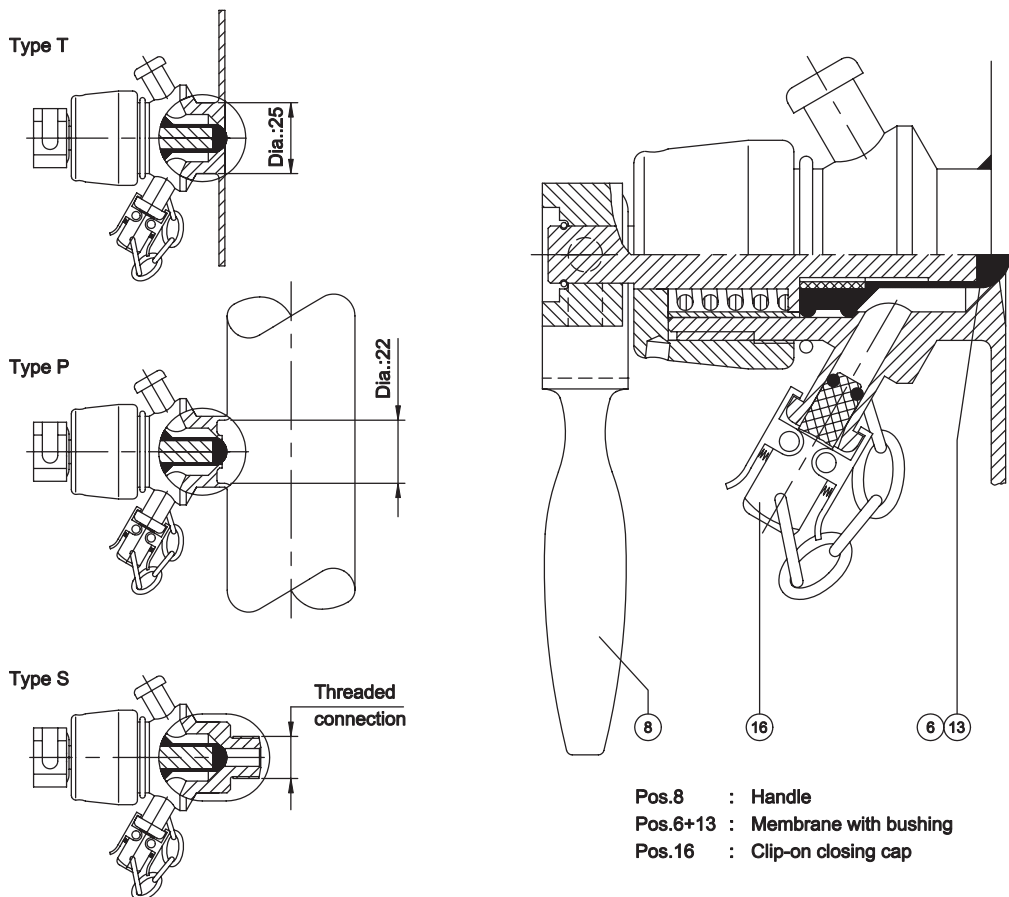
- Sampling coil with clip-on
- Isobaric hand bottling device with clip-on
- Hypodermic needle
- Silicone hose with clip-on

Special Versions

Instead of being clip-on type, the two outlets of the valve can be supplied with Tri-Clamps, Swagelok or welding ends. Other type is available on request.

The pneumatic valve can alternatively be supplied in a combined manual - pneumatic execution.

Please ask for separate information on the SCANDI BREW® Sampling system.



How to contact Alfa Laval

Contact details for all countries are continually updated on our website. Please visit www.alfalaval.com to access the information direct.