

**Pump construction**

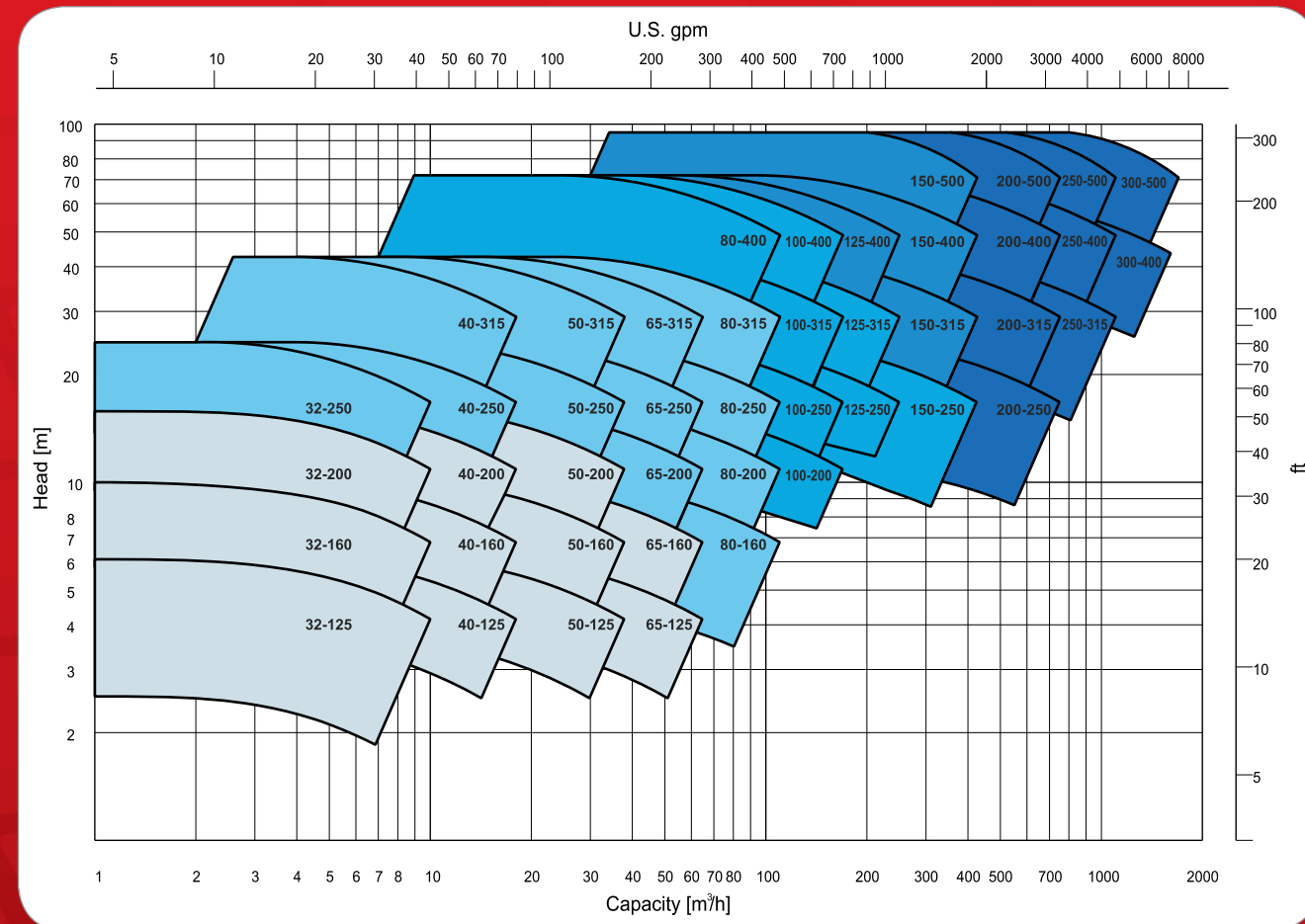
CN MAG-MV are a single stage volute casing pumps with closed impellers, back-pull-out design with end suction and top discharge flange.  
OH5 construction, compact design.

**Connections:**

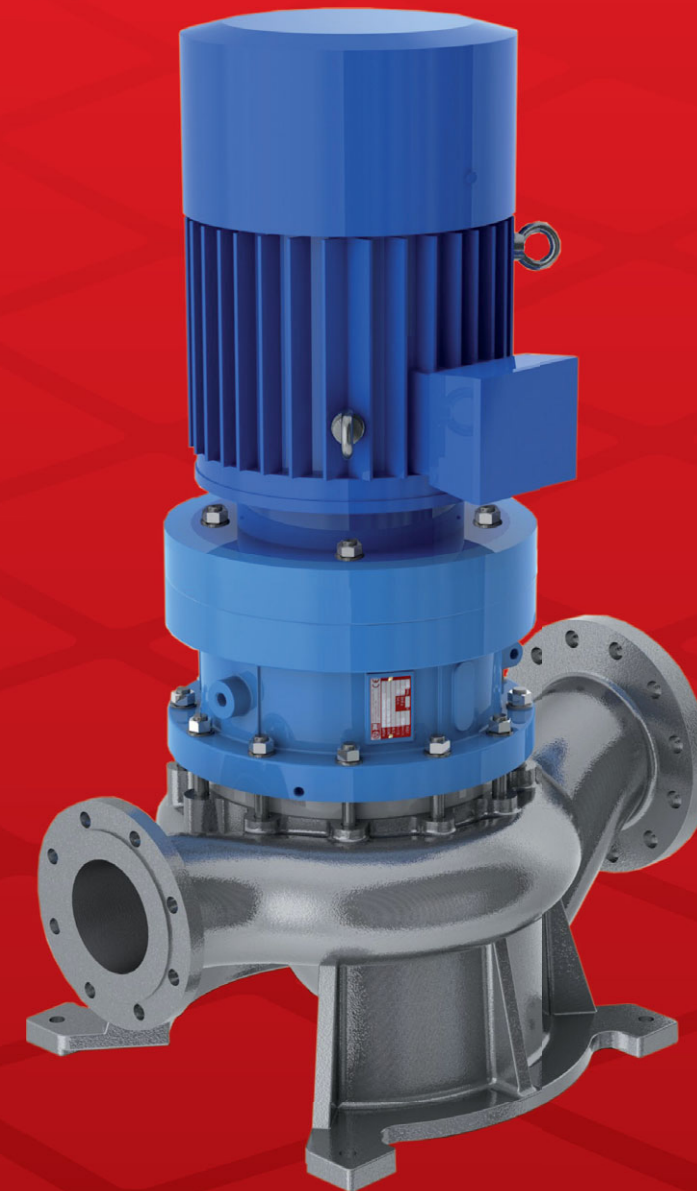
Flange rating per ANSI B16.5 Class 150 and 300 lbs, DIN PN 16/40

**Performance curves**

1450 RPM



**OH5 VERTICAL IN LINE, SEALLESS  
CENTRIFUGAL MAGNETIC DRIVE PUMPS**



**CN MAG-MV**

Manufactured by:



A unit of  
**Mischiatti**  
GROUP

**M PUMPS s.r.l.** - Via dell'Artigianato, 120  
45015 Corbola (Ro) - Italy - [www.mpumps.it](http://www.mpumps.it)  
Tel. +39 0426 346304 - Fax +39 0426 349126

For more information please contact:



**CN MAG-MV Series**

The separation of liquid chamber/atmosphere by means of an isolation shell is the best solution to pump aggressive, explosive and toxic liquids, hydrocarbons, heat transfer liquids and liquids difficult to seal.  
The hermetic sealless is the best solution for the chemical, pharmaceutical and petrochemical industry.  
A wide range of pumps covers the different performances.

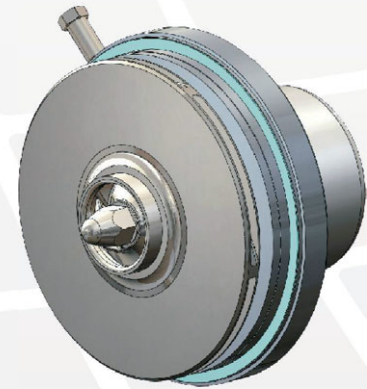


# PUMP DETAILS

Custom design base plate, stainless steel, carbon steel, other materials available.

Epoxy primer and polyacrylic enamel water-based painting for the best quality resistance linked to the environmental respect.

**RWP QUICK CHANGE CARTRIDGE KIT** to guarantee an easy and fast maintenance.



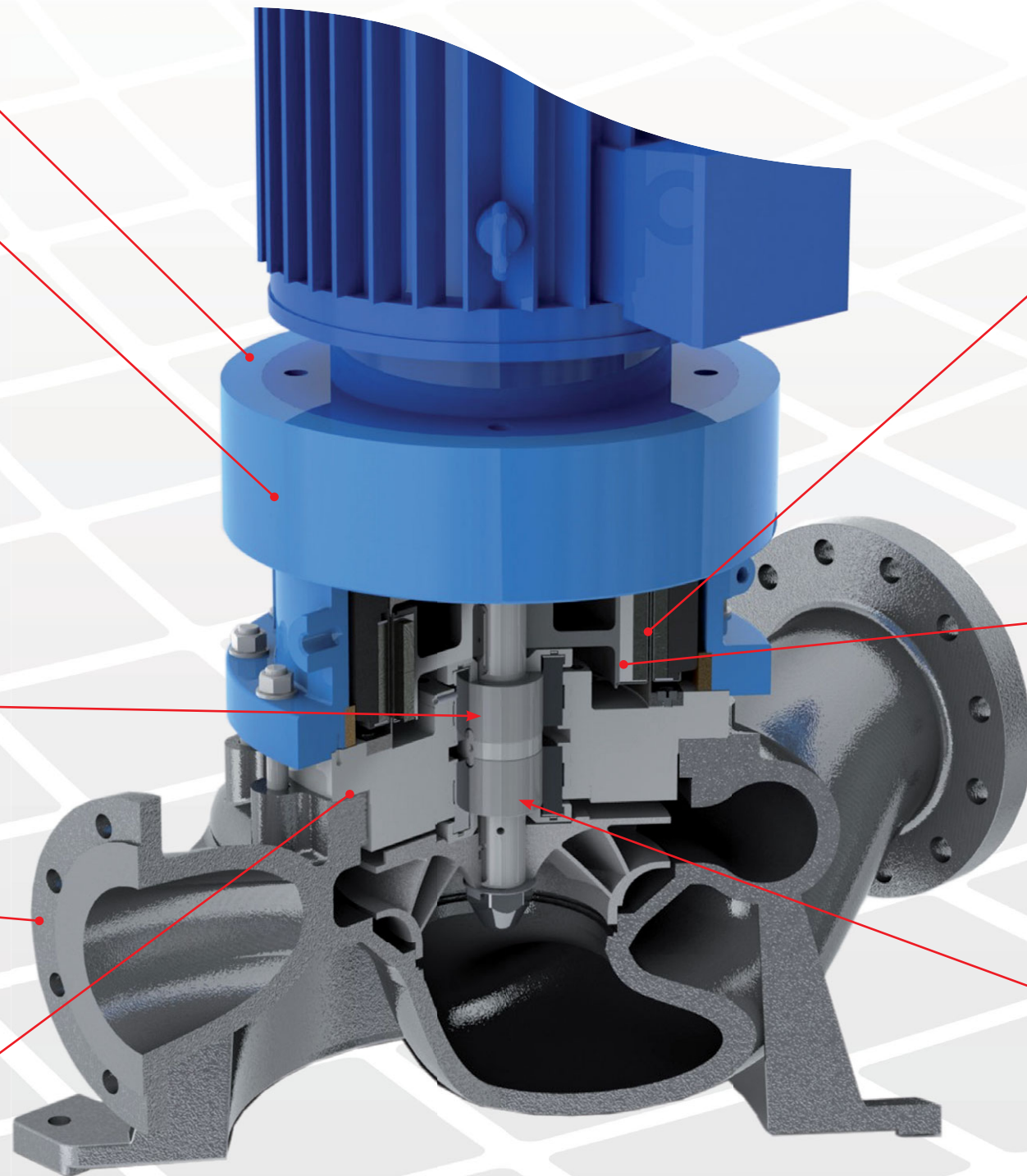
Particular design of the hydraulic, with self balancing impeller to improve the wear ring life.

CF8M or WCB Pump Casing & Impeller High quality casting components.

Other materials :  
- Hastelloy® C276,  
- Incoloy® 825,  
- Duplex,  
- Others available on request.

The sealing system with flat gaskets prevents product from leaking in the atmosphere - different materials available:

- Asbestos free (standard)
- PTFE
- Graphoil
- GYLON®
- Spyril Wound
- Other on request



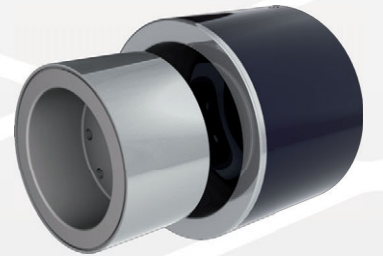
The rear shell is made of one single piece, no welding, ellipsoidal profile that has been studied to withstand higher pressures than the traditional one.

Available two versions, AISI 316 the standard construction, and Hastelloy® C276 for high pressure version - providing a safe and efficient solution - system pressure max 150bar.  
Titanium Alloy is an upgrade when higher pressure ratings and increased efficiency are required.



High power synchronous magnetic coupling designed by our Technical Office and with rare earth magnetic elements mechanically locked.

The high performance magnets can operate at liquid temperature of up to 662 °F (350 °C) without external cooling.



Field assembling of the product lubricated bearing arrangement does not require special tools.

Bearing materials are available in four different types to provide the best solution for each application: Silicon Carbide (SSIC), Tungsten Carbide (WC), Special Carbon to allow a dry running situation and PTFEC/G for any applications where the Special Carbon cannot be used.

The adoption of elastic rings reduces the sleeve bearing loads and the thrust bearing loads to the minimum, to guarantee many years of maintenance-free operation.

