



# Gunclean Toftejorg 270FT Optima

## Tank and hold cleaning machine

The Gunclean Toftejorg 270FT Optima is a fully programmable turbine driven single nozzle tank cleaning machine.

### Application

The Gunclean Toftejorg 270FT Optima is designed for fixed installations onboard product carriers, crude oil, bulk and FPSO's.

### Operation

The turbine driven Gunclean Toftejorg 270FT Optima model will immediately be in operation for cleaning by just opening the supply valve. An easy selection between four different cleaning programmes is offered, from quick cleaning to tight pitch cleaning for heavy duty.

All programmes are available by turning the knob on the power unit before or during cleaning. Nozzle position can be adjusted either before or during operation. The rotation speed can be set between 1–2 rpm.

### Cleaning pattern

The nozzle performs a helical cleaning pattern by a slow vertical movement of the nozzle while the cleaner head is rotating in the horizontal plane. The power unit is designed to give a tighter cleaning pattern in the bottom of the tank or hold, where it is generally most needed.

### Options

- Inlet flange according to JIS and ANSI standard.
- Deck flange with customized dimensions.
- Gaskets and sealings.
- Strainer in flange.
- Sensor connection for all cargo control systems.
- Capacity up to 115 m<sup>3</sup>/hour.
- Split extension pipe.

### Regulations

The equipment is in full compliance with MARPOL, Annex I and IMO regulations. Type approval from major classification societies.



Gunclean Toftejorg 270FT Optima.

### Specifications

Materials, main parts (standard version up to 4 metres extension pipe)

Inlet housing	Ductile cast iron, epoxy coated
Extension pipe	Stainless steel AISI 316L
Lower assembly	Stainless steel AISI 316
Cover	Stainless steel and coated
Sealings	Viton

### Weight

Machine with 1.0 m length of main pipe	95 kg
Per additional metre of main pipe	20 kg

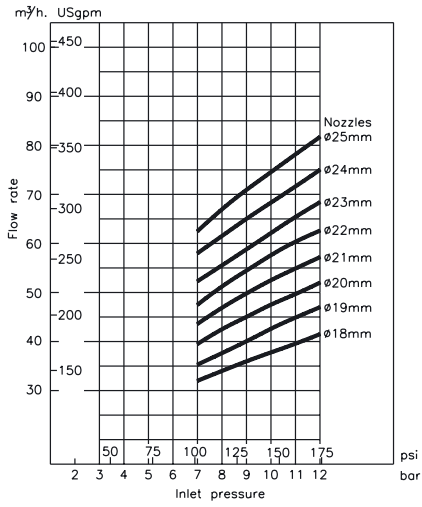
Lubricant	Oil or grease
Working pressure	7–12 bar (105–195 psi)
Capacity	30–120 m <sup>3</sup> /hour
Max. working temperature	95°C (203°F)
Programmable pitch	4 different settings from 1°–8.5°

### Sealing

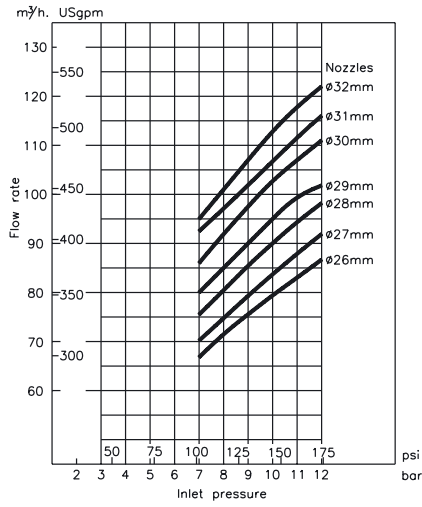
Gas	0–0.5 bar (0–7.5 psi)
Water/oil	0–13 bar (0–195 psi)

Installation	Fixed
--------------	-------

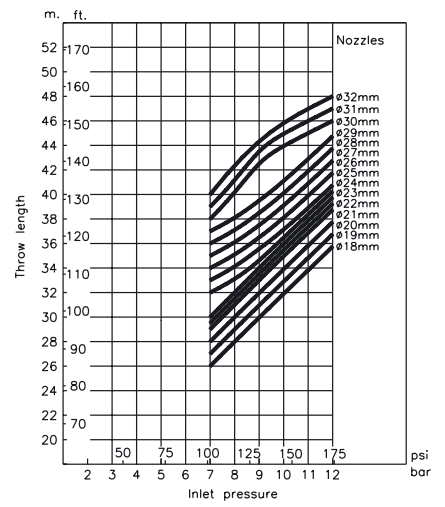
**Performance data:**  
Flow rate, nozzles Ø18–25



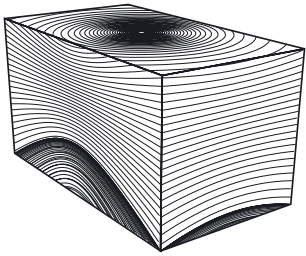
**Performance data:**  
Flow rate, nozzles Ø26–32



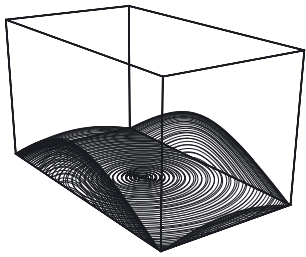
**Recommended design throw length at static condition**



**Cleaning pattern**

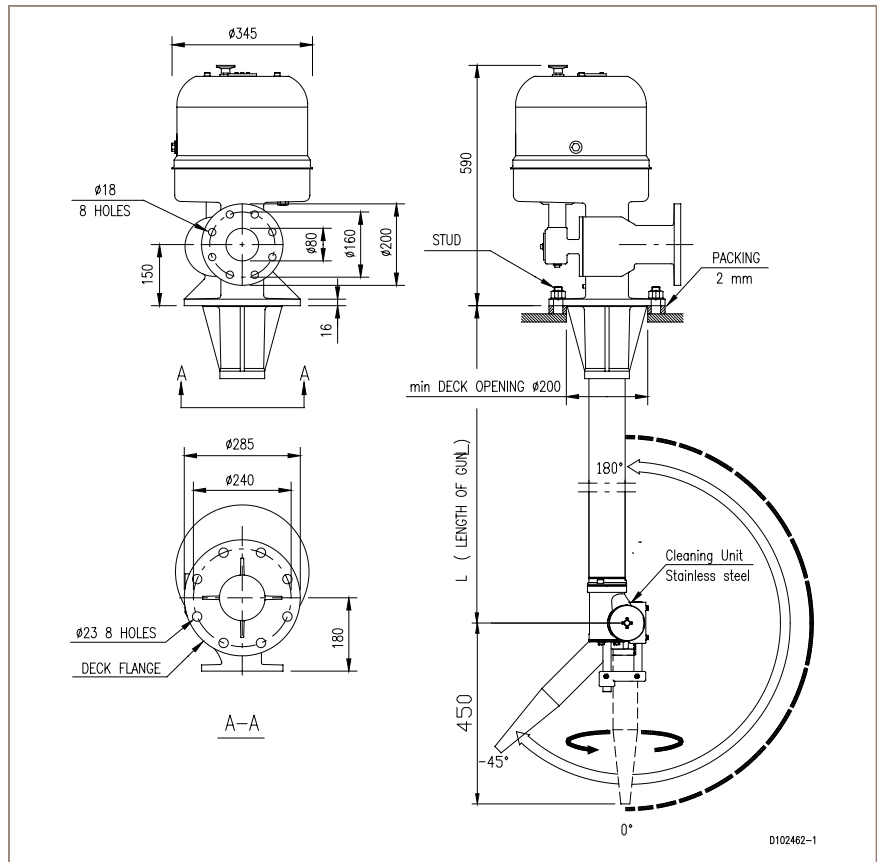


Dense pattern



Bottom pattern

**Dimensions (mm)**



EMD00021EN 0511

Alfa Laval reserves the right to change specifications without prior notification.

**How to contact Alfa Laval**  
Up-to-date Alfa Laval contact details for all countries are always available on our website at [www.alfalaval.com](http://www.alfalaval.com)