



Gunclean Toftejorg 7000S

Tank and hold cleaning machine

The Gunclean Toftejorg 7000S is a single nozzle programmable turbine driven tank cleaning machine, capable of cleaning simultaneously at one level or at various levels.

Application

The Gunclean Toftejorg 7000S can be designed for fixed installation in 3 versions: Chemical version, Product version and Offshore version.

Operation

The system is modular and offers flexibility in number of cleaning heads and cleaning levels to ensure optimized cleaning of various tanks in the shortest possible time and with the least amount of cleaning fluid. The rotation speed can be set between 1–2 rpm. The pitch can be set varied in 4 different programs, also during cleaning. The unit is service friendly and all sealings can be exchanged from above without dismounting the system from the tank. Visual indication of the rotation is a practical feature, as well as the manual overdrive. Double sealings and cofferdam ensure, tight safe sealing against the cargo.

Cleaning pattern

The nozzle performs a helical cleaning pattern by a slow vertical movement of the nozzle while the cleaner head is rotating in the horizontal plane.

Options

- Inlet flange according to JIS and ANSI standard.
- Deck flange with customized dimension.
- Gaskets and gasket materials.
- 2" ball valve with strainer and CamLock coupling (male) with dust cap.
- Hose with coupling as spool piece.
- Brackets for support bearings.
- Material specification: AISI 316L. Mo> 2.75%.
- Sensor connection for all cargo control systems.
- Special sealing materials for chemical products.
- Capacity up to 45 m³/hour.
- Longer jet lengths using special cleaner head and nozzles.

Regulations

The equipment fully complies with IMO regulations and the requirements of the classification societies.

Ordering information

Please specify nozzle size, length, connections and confirm application suitability.

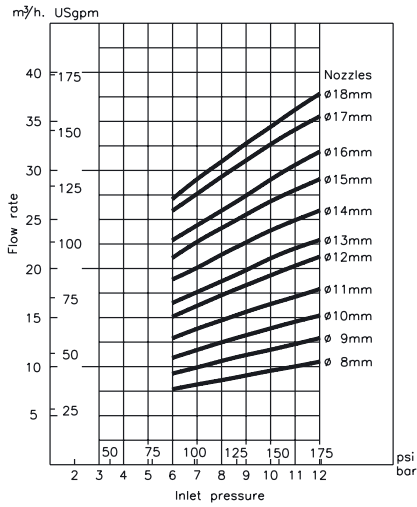


Gunclean Toftejorg 7000S.

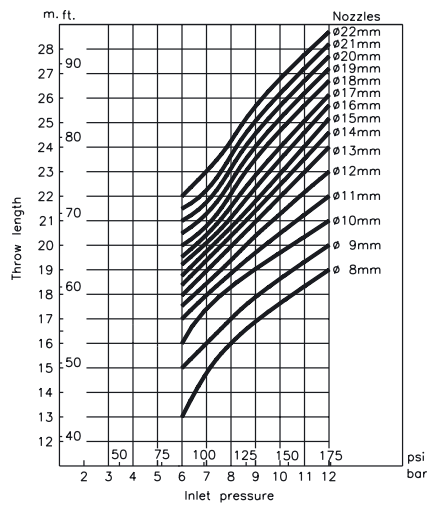
Specifications

Materials, main parts (standard version)	
Inlet housing	AISI 316
Main pipe	AISI 316
Lower assembly	AISI 316
Cover	AISI 316
Sealings	Oil, product or chemical resistant
Weight	
Machine with 1.0 m length of main pipe	33 kg
Per additional metre of main pipe	6 kg
Lubricant	Grease
Working pressure	6–12 bar
Capacity	12–45 m ³ /hour
Max. working temperature	0–95°C (32–203°F)
Programmable pitch	4 different cleaning programs, incl. prewash 1.5°, 3°, 6° and 22°
Sealings	
Inert gas	0–0.7 bar (0–10 psi)
Cleaning fluid	0–12 bar (0–174 psi)
Draining	Self draining after cleaning
Installation	Fixed
Cofferdam	One separate cofferdam

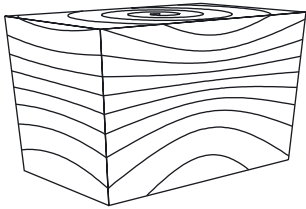
Performance data:
Flow rate



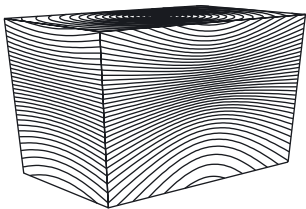
Recommended design throw length at static condition



Cleaning pattern

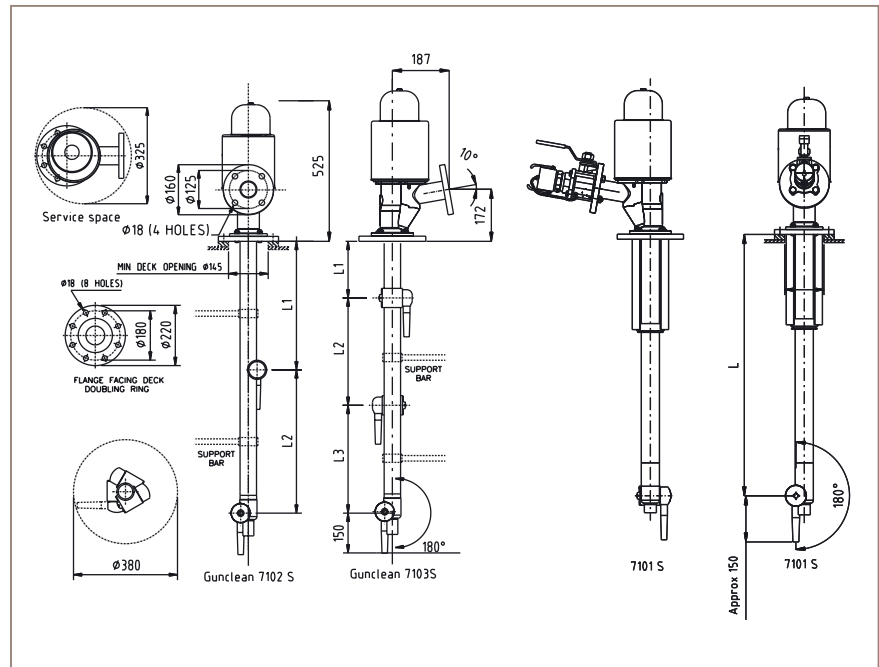


Coarse pattern



Dense pattern

Dimensions (mm)



EMD00019EN 0511

Alfa Laval reserves the right to change specifications without prior notification.

How to contact Alfa Laval

Up-to-date Alfa Laval contact details for all countries are always available on our website at www.alfalaval.com